



NIIGATA MACHINERY CO., LTD.

1300 Okayama, Higashi-ku, Niigata City,  
Niigata 950-0821 Japan  
Ph: +81-25-274-5130

<https://nmc.co.jp>



# MDVR-S8000

All Electric Vertical Injection Molding Machine



NIIGATA MACHINERY CO., LTD.

## Compact Machine Design

- Low machine height and table height for better workability -

## Appropriate Pressure Transmission

- Reduction of short shot and flash by BPF<sup>®</sup> (Balance Pressure Filling) -

## High Accuracy Mold Protection

- Low pressure mold protection with automatic detection of threshold value -

## User Friendly Operation Screen

- 15" display with new design to avoid frequent screen change -

## Tough Com Machine

## Niigata Hiper Navi

## Slow Injection Speed with Precise Control

- Super slow injection speed and powerful pressure feedback control -

## IoT

- Quality and efficiency control by information technology -

## Fast Table Rotation and Accurate Positioning

- Low noise by belt-driven rotation and accurate positioning by fully closed loop control -

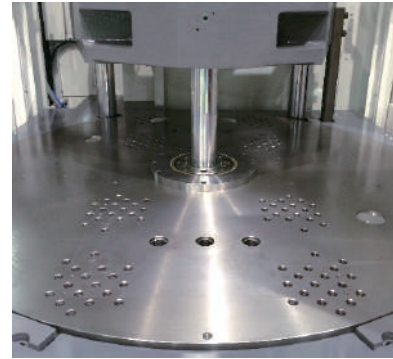
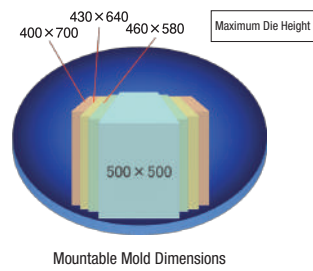
## Improved Setup Efficiency

- Quick, easy and safe preparation process -

## Wide Clamping Unit

### Increased mold mounting size !

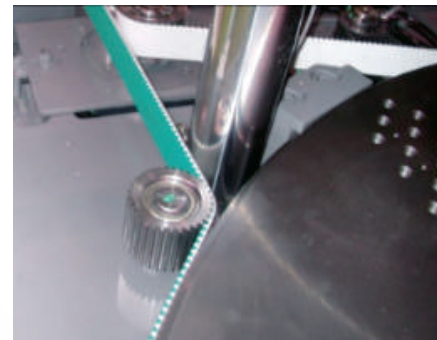
In order to adapt larger size and more complex mold design, the maximum mold size of MDVR110S8000 is 500 mm x 500 mm and the rotary table holds up to 450 kg per lower mold. High rigidity movable platen and table are designed to prevent deformation.



## High-Performance Table Rotation Mechanism (PATENT)

### Ensured compatibility between fast-rotating table and high-accuracy positioning !

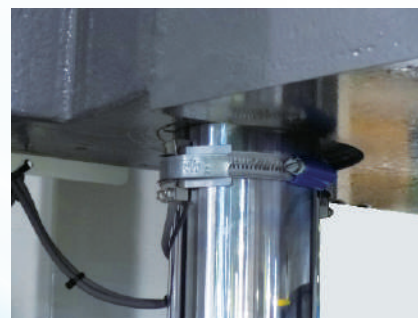
The MDVR-S8000 is equipped with the low-friction support device that minimizes the friction between the table and the slide, as well as a direct belt-drive system. Together these functions constitute the MDVR-S8000's table rotation mechanism, which provides quiet high-speed operation and excellent durability. Adopting the new, fully closed control, the table can be stopped more accurately.



## Accurate Clamping Force Adjustment



High-precision encoder



High-precision tie bar sensor

With the MDVR-S8000, setup of the mold can be done in high speed and with high precision. In addition, clamping force can be adjusted accurately, and precision of low pressure mold protection has been improved so that successive and stable precision molding can be achieved. Easy Setting with Simple Operation.

## Advanced Technique of Low Pressure Mold Protection

For Low Pressure Mold Protection, optimum setting can be automatically calculated. Lower molds (mold A & mold B) can be set individually.

### Low Pressure Mold Protection settings for mold A and mold B.

MOLD SAFETY	A	B
XFER. POS. (in)	0.87	0.87
PRES. (%)	-10 1	-15 0
MOLD SAFETY VEL. (in/s)	1.18	1.18
ALARM TIME(s)	10.0	10.0
H-PRES. START (in)	1.520	1.363

STAGE (3->6)	DOWN	UP
CLOSE	(in/s) (in)	(in/s) (in)
(1)	4.00 6.00	4.00 2.00
(2)	6.00 2.00	6.00 4.00
(3)	4.00 2.00	4.00 4.00

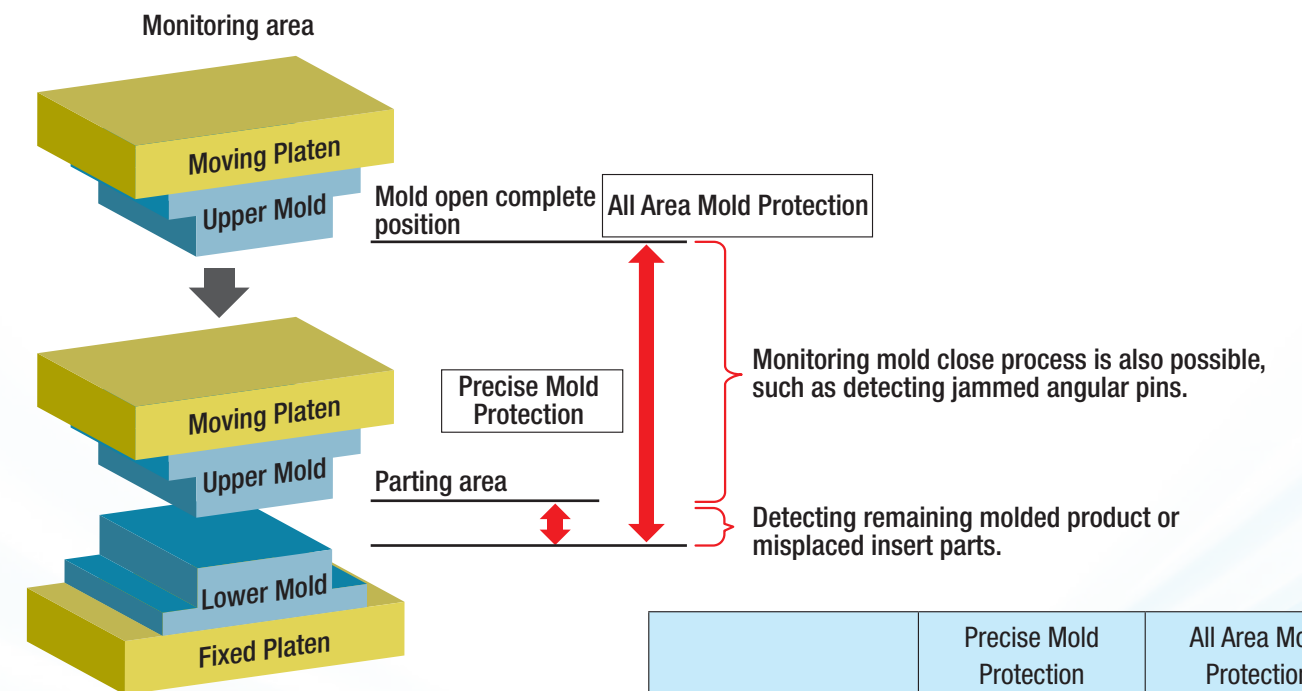
  

MOLD SAFETY	A	B
XFER. POS. (in)	0.87	0.87
PRES. (%)	-10 1	-15 0
MOLD SAFETY VEL. (in/s)	1.18	1.18
ALARM TIME(s)	10.0	10.0
H-PRES. START (in)	1.520	1.363

OPEN FIN. (in) 7.87

H-PRECISION MOLD SAF DATA PRES- ALARM  
CALC. LIMIT CLAMP F. TIME  
A \*\*\* \*\* \*  
B \*\*\* \*\* \*

### Improved Mold Protection.



	Precise Mold Protection	All Area Mold Protection
Mold open complete position - Parting area	—	○
Parting area	◎	○

Accuracy of object detection is highly improved.

## Selectable Injection Size

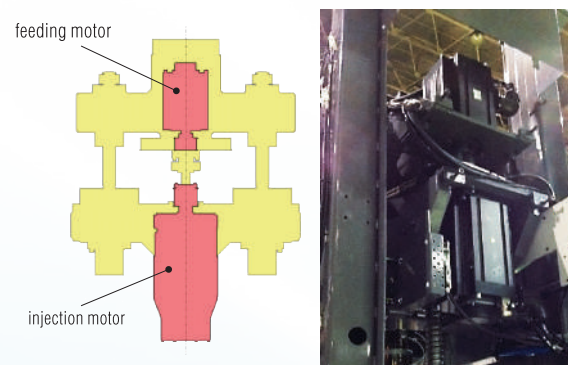
### Suitable screw size for optimal application

Smaller size or high speed injection unit can be selected (indicated by dotted line).

Model	Injection unit		Speed(mm/s)	Screw diameter (mm)			
MDVR55S8000	i0.8H	High Speed	500	18	22	25	—
	i1.3	STD	300	18	—	25	30
MDVR75S8000	i1.0H	High Speed	450	25	28	—	—
	i2.0	STD	250	—	—	30	35
MDVR110S8000	i1.7H	High Speed	400	30	32	—	—
	i2.9	STD	260	—	—	35	40
	i3.4	High volume	260	—	—	35	40
MDVR165S8000	i3.4	STD	260	35	40	—	—
	i5.7	High volume	150	—	40	45	52

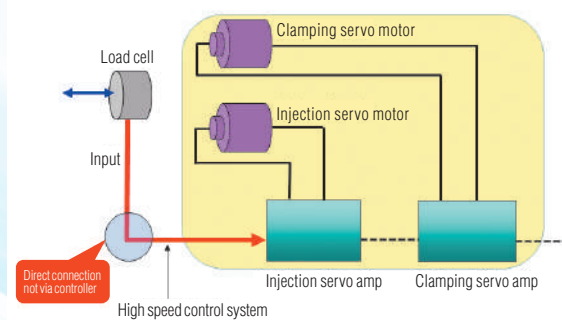
## Injection Unit with Low Center of Gravity (PATENT)

Large-mass servo motors are located at the top and bottom in parallel with the screw shaft, in order to lower the overall gravity center position and thereby achieve a very favorable left-right balance of mass. With guide mechanism of high rigidity and low friction, this new injection unit reduces, to the absolute minimum, vibration and noise during injection operations. The load (mass) constantly applied to the screw is also reduced, and combined with the high-precision load cell this unit lets you control the back-pressure more accurately during injection.



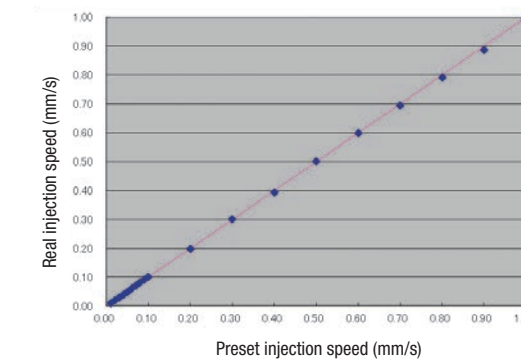
## Advanced All-Digital Control

The MDVR-S8000 employs the “MR-J4” all digital servo system. Niigata’s original pressure-feedback control achieves pressure response and accuracy that are unrivaled by competitors’ similar machines. The MDVR-S8000 is also a high-speed machine boasting the industry’s fastest calculation time of 55μs. Data exchange between the servo amplifiers uses optical communication to prevent malfunctions or errors caused by surrounding noise. Additionally, the MDVR-S8000 adopts a control whereby once started, the “molding will not be stopped” because this significantly improves the durability of electrical components and prevents failures and errors.



## Control of Super Low Speed Injection

### Industry-leading highly precise speed control of 0.01mm/s !

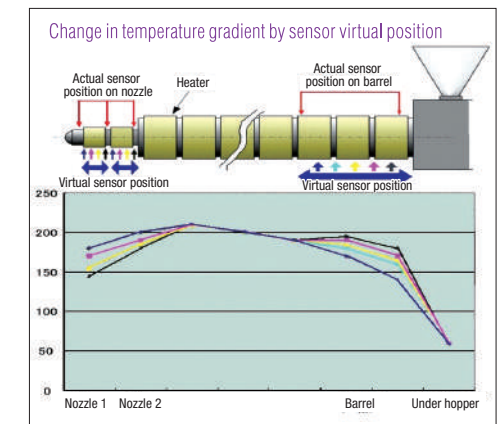


Ultralow speed injection of 0.01mm/s can be achieved with high-resolution encoder of 22bit/rev (4794304PLS) mounted on our machine. Our machine delivers superior performance in thick-walled molding with outstanding stability and repeatability in low speed.

## Twin-Group Temperature Control System

### Advanced temperature control system !

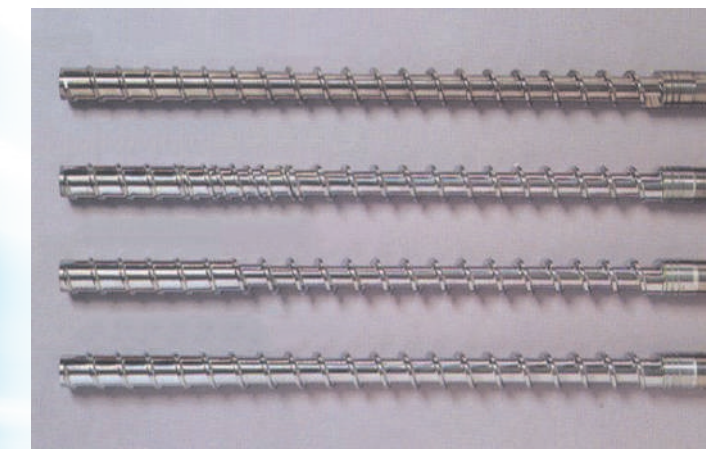
The MDVR-S8000 comes standard with the “twin-group temperature control” system (PAT-ENT). It consists of two of the “group temperature control” units, which have received good reviews from the users. One temperature control unit is installed at the nozzle, while the other unit is provided at the rear of the heating cylinder. “Temperature group control” is Niigata original temperature control technology, whereby you can set the positions of sensors in virtual manner and change the temperature gradient. This lets you change the temperature profiles of the nozzle and heating cylinder as desired. You’ll certainly find this temperature group control very effective in preventing material from running out of the nozzle, and it improves the feeding of material.



## Variety of Screw Options

### Select the most appropriate screw !

We propose the best suited screw from our wide selection depending on the intended use taking advantage of know-how cultivated throughout our history.



Specification	Coat	Abrasion & Corrosion resistant	Super abrasion/ corrosion resistant	High temperature specification	special surface treatment	Super corrosion
Screw name						
Universal NHP screw	●	●	●	●		
Screw for crystalline resin such as PA	●	●	●	●		
Screw for connector		●	●	●		
Screw for optics					●	
Screw for fluororesin						●

● : standard ● : option

## Niigata Hiper Navi

Operation support : Setting screens and monitors are displayed in a single screen to reduce the number of screen switching !

Heating cylinder temperature setting

Ejector setting

Injection conditions

Table speed setting

Function selector

Timer setting

Charging conditions

Clamping conditions

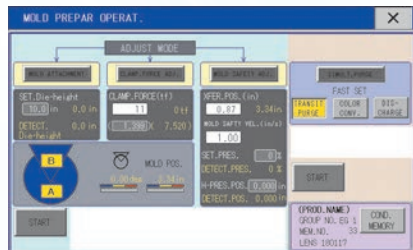
Monitor window switch

Shot monitor

Latest shot data

Simplified setup device : Setup for the molding is simplified and minimized with Niigata Hiper Navi

### Preparation screen

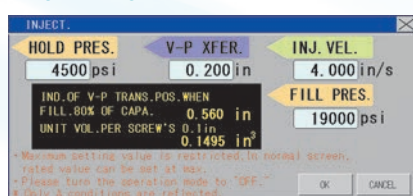


- MOLD ATTACHMENT** Input of mold height and clamping force is not required.
- CLAMP.FORCE ADJ.** Clamping force can be adjusted with a single touch of this button. (Visualization of clamping force.)
- MOLD SAFETY ADJ.** Optimum setting value is calculated automatically.
- SIMULT.PURGE** During the process of purging, either clamping force adjustment or low pressure mold protection can be operated without stopping purging.

Simple setup for the mold  
Once you press "Start" button in this screen, operation of the machine will start.

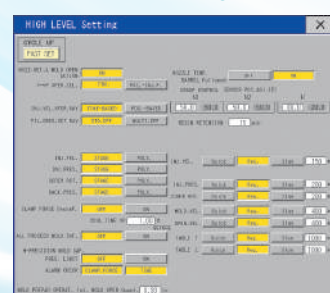
### Easy setting function

#### Easy setting screen



Basic setting for molding can be done easily along the operation procedure.

#### Advanced setting screen



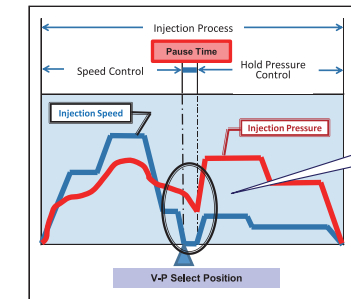
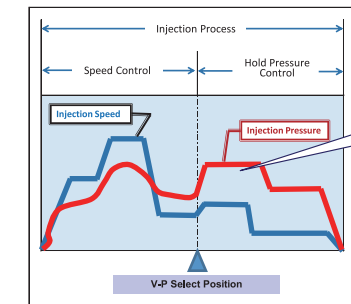
Advanced setting such as injection, clamping and temperature are consolidated in one list screen.

## Natural Flow Filling by BPF® Control

Temporarily stopped time

During injection process, screw is temporarily stopped so that the gate balance can be kept and the material is naturally filled along the gate. This is also effective for the release of gas.

Filling peak pressure is reduced.



- Multi-cavity molding**  
BPF® is effective for uneven thickness molding.
- Thick-walled molding**  
BPF® can improve the quality in the gate sealing and formation of skin layer. This is effective for the transcription with high precision and reduction of mold release resistance.

## CPF Control

CPF (Constant Pressure Filling) is a function that automatically slows down the filling speed by controlling maximum filling pressure. CPF can release the peak pressure at the completion of filling process, and the machine will smoothly shift to pressure holding process. You will find that CPF is an advanced technique of NIIGATA and is effective in reducing or preventing the occurrence of molding failure.

## Additional Functions

### Pre-releasing of clamping force

Before completion of cooling, clamping force can be released.

### Low pressure clamping force holding

Low pressure clamping force can be held. If necessary, you can switch to high pressure clamping force.

### Ejector advance speed switching

Advance speed can be switched. (2 speeds)

### Individual setting for 2 molds

You can set individual injection conditions for 2 molds respectively.

### Local password setting

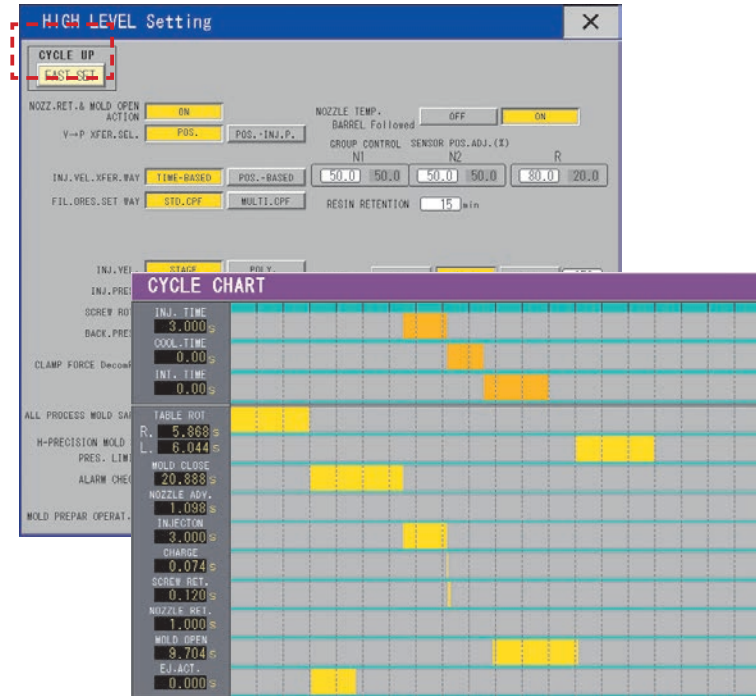
You can put restriction on the screen operation by setting a password for each operator.

# Improved Productivity & Efficiency

## Shorter Cycle Time and Productivity Advance

### 1 High speed movement

- 20% faster mold open/close speed.
  - 20% faster mold height adjustment speed.
- Faster movement reduces preparation time and cycle time.



### 2 Cycle-up mode

- Condition setting is automatically changed for shorter cycle time only by pressing FAST SET button. All related features are displayed on one screen.

### 3 Cycle chart display

- Cycle Chart is a useful tool to check effectiveness of overlapping process for shortening cycle time.

## Compact Machine

### Lower height design !

Table height and overall height of the machine are lowered compared to the conventional vertical injection molding machine. The lowered table can reduce the burden of operator, and improve safety and work efficiency.



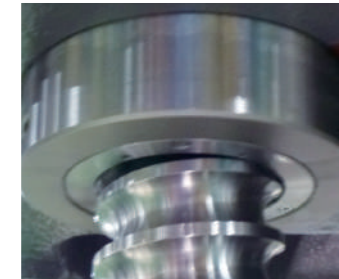
## Wide Opening for Mold & Auxiliary Equipment Setup

Operator's gate is modified to secure wider workspace. You can access to the mold from both sides of the machine, which can make the setup of molding easier.

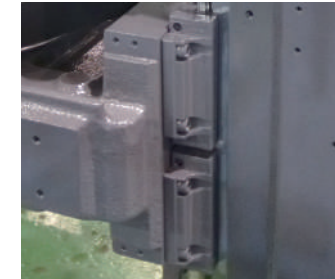


## Reduction of Running Cost

Keep the machine clean with less use of grease !



Sealed ball screw



High precision linear guide



Automatic lubrication

By adopting sealed ball screw, high-precision linear guide, and automatic lubrication, consumption of grease is significantly reduced.

Equipped with power consumption monitor as a standard feature!

ELECTRICITY MONI.	HEATER	MOTOR	TOTAL
INSTANT VALUE (kW)	0.000	0.057	0.057
INTEG. POWER CONS. (kWh)	10.440	5.220	15.660
ELEC. ENERGY MEAS. (kWh)	0.000	0.000	0.000

RESET 2018 / 02 / 17 ~ TIME(min) 60

This monitor screen can display power consumption.

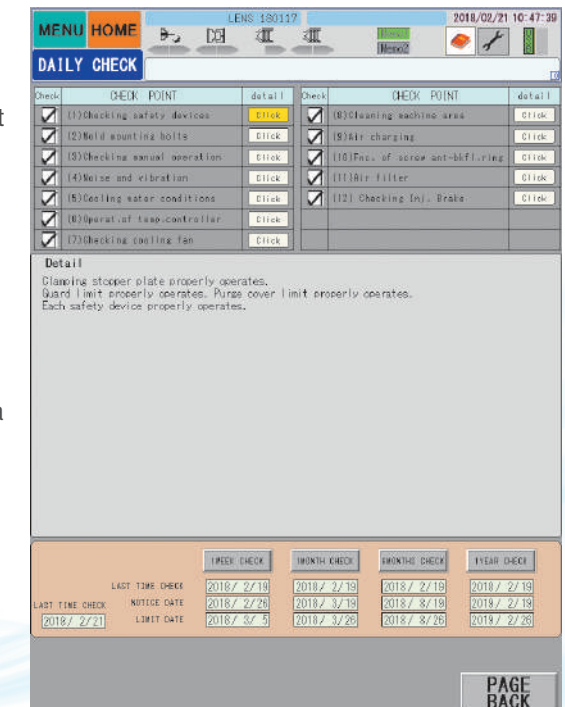
## Improvement of Maintenance Property

Equipped with maintenance support function as a standard feature!

This function will inform you the schedule of periodical inspection for each part of the machine.

### Injection unit maintenance position!

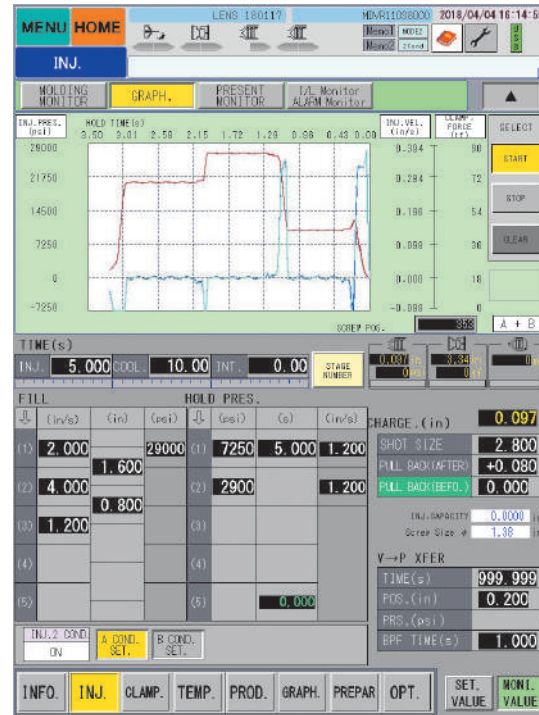
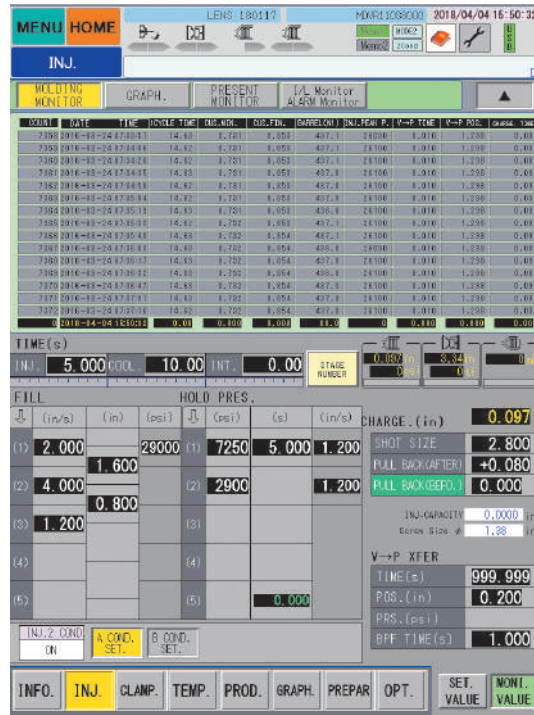
In addition to normal retract position, injection unit can further retract to a maintenance position.



# Enhanced Man-Machine Interface

## 15" Display mounted

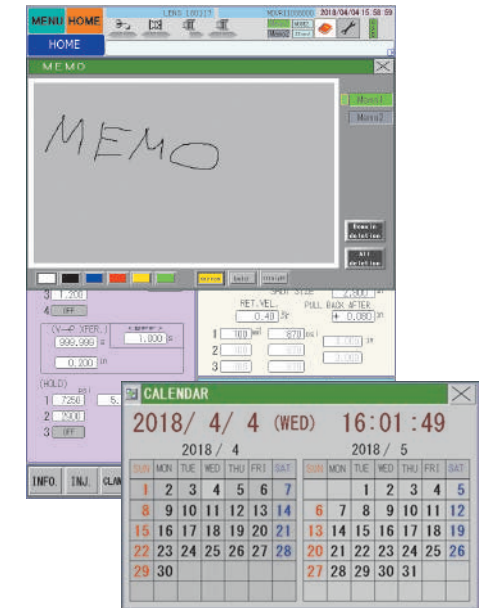
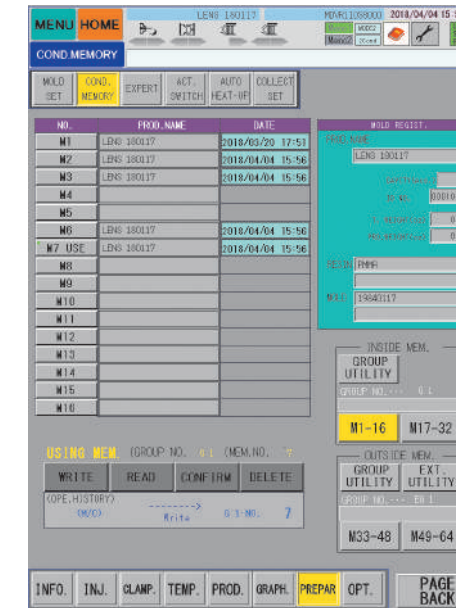
- Display size is enlarged to 15" for clear image.
- Basic screen design is based on S7000 model with familiar interface.
- Shot monitor or waveform can be displayed with molding condition to avoid frequent screen changes.



Graphical monitor screen

Condition memory screen

Convenient functions



This graphics monitor screen can display up to 8 waveforms. Overwriting and setting comparison are also available.

Number of molding conditions recordable is 384 in built-in memory and 384 in commercial-release USB memory respectively.

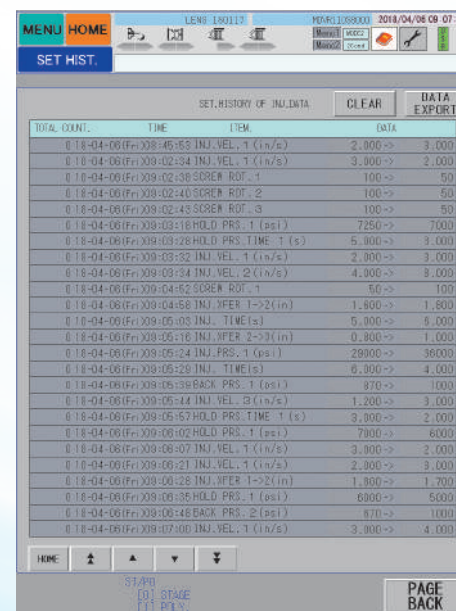
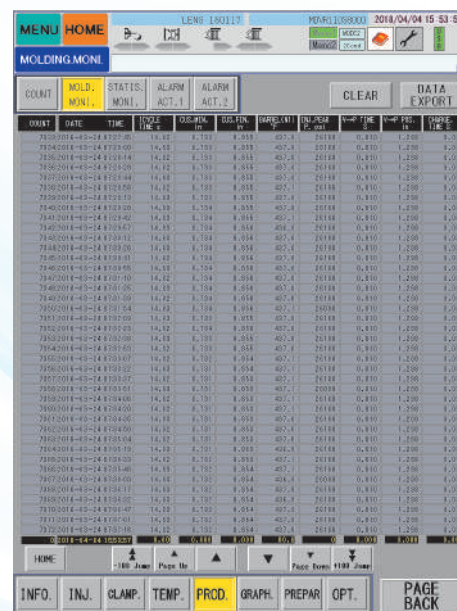
Notepad, as an example. Hand writing is available. You can leave a message or notes etc.

## Increased memory capacity and new feature

Instruction manual screen

Shot monitor screen

Event record screen



Instruction manual is available on screen.

Large memory size to keep monitoring records of up to 10,000 shots.

Alarm history, fault history and injection/clamping/temperature condition history can be viewed.

## Screen display by function key



Waveform Monitor, Shot monitor, Molding counter, Power consumption monitor, Calculator; you can access these functions directly through function key at the bottom of display.

## IoT

### 1. MD-Monitor (PC I/F)

- Connection Manager can display operation status of 256 machines.
- Shot monitor, molding condition and history data of networked machines can be retrieved at once.

The screenshot displays the MD-Monitor software interface. At the top, there are tabs for 'Shot Monitor', 'Machine Status', 'Chart', 'Alarm History', 'Alarm History', 'Temp. History', 'Clamp History', and 'Message Board'. Below these, there are several data tables and graphs. The 'Machine status' table has columns for 'TOTALCOUNT', 'CYCLETIME', 'BUSTART', 'CUSHR', 'CUSHR', 'FILLFHP', 'VTIME', 'VPKOS', 'VPKOS', 'CHRGTIME', 'BARRCINI', 'BARRCND', and 'BARRC'. Below the table are two graphs: 'Shot monitor' and 'Graphs'.

Machine status

Shot monitor

Graphs

### 2. FactoryView

- Machine running condition is displayed with machine icon.
- Background image of your choice can be used to show machine layout.

The screenshot shows the FactoryView software interface. It features a factory floor layout with several machine icons. Each machine icon has a status indicator (ALM, ERR) and a product count display. The background is a stylized factory floor with pink and grey areas.

### 3. VNC (Virtual Network Computing) server function

- Remote monitoring and control from PC and mobile device are possible.

The diagram illustrates the VNC server function. A molding machine is connected to a PC. The PC screen displays the machine's status. A mobile device (tablet) is also connected to the PC via VNC software, allowing for remote monitoring and control. The text 'Monitoring · Operating' is shown above the mobile device.

VNC Viewer software (freeware) needs to be installed on PC or mobile device.

Screen data of molding machine appears on PC and mobile device for remote control. Remote access can be controlled by changing setting on molding machine.

on PC

on mobile device

### 4. Message board

- Operator can receive a message sent from remote PC.
- The sent message is marked as read on PC after it is viewed on machine display.

The screenshot shows the message board software. A message is displayed: 'The meeting will be held at 9:00 a.m.'. The message is marked as read. The interface includes fields for 'SEND', 'REPLY', and 'DELETE'.

### 5. E-mail

- Trouble, production completion and other notice are sent by e-mail.

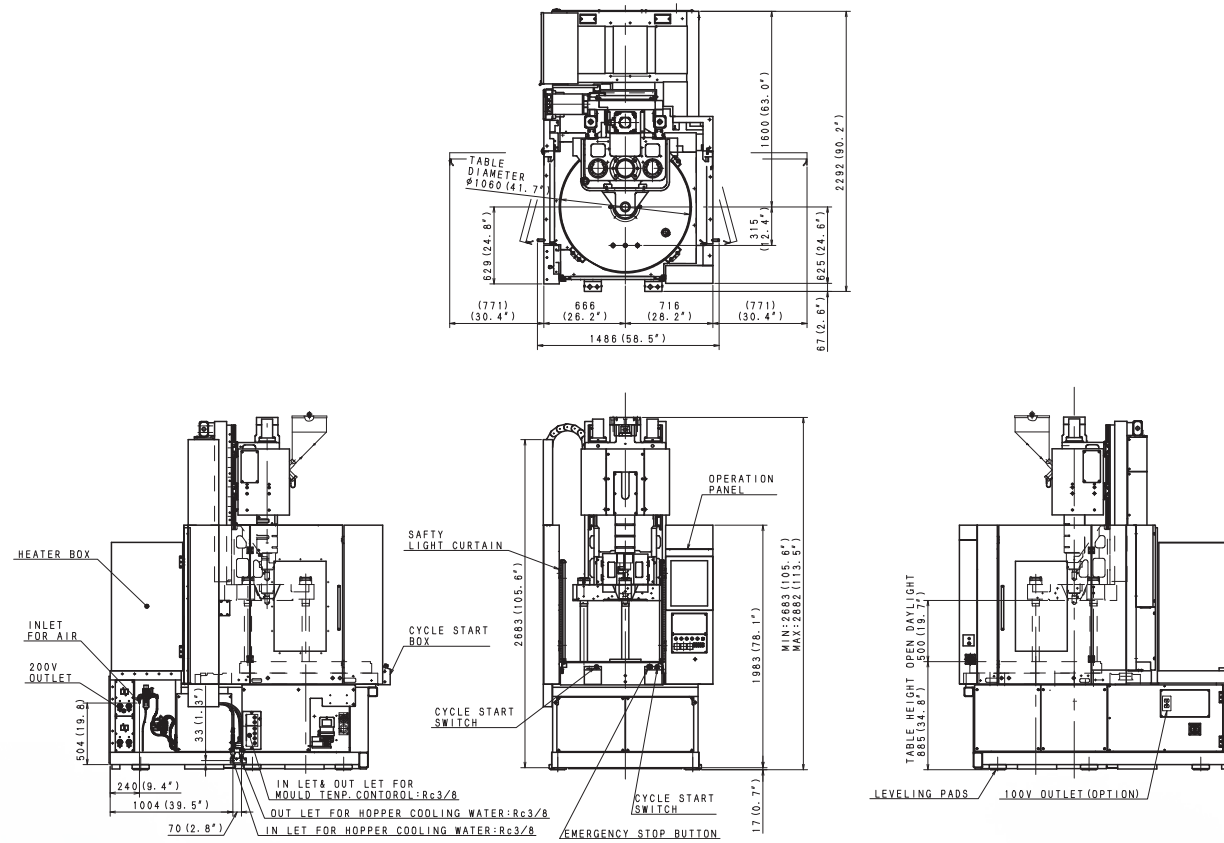
The screenshot shows an email interface. A message is displayed: 'On alarm/trouble'. The message is marked as read. The interface includes fields for 'FROM', 'TO', and 'SUBJECT'.



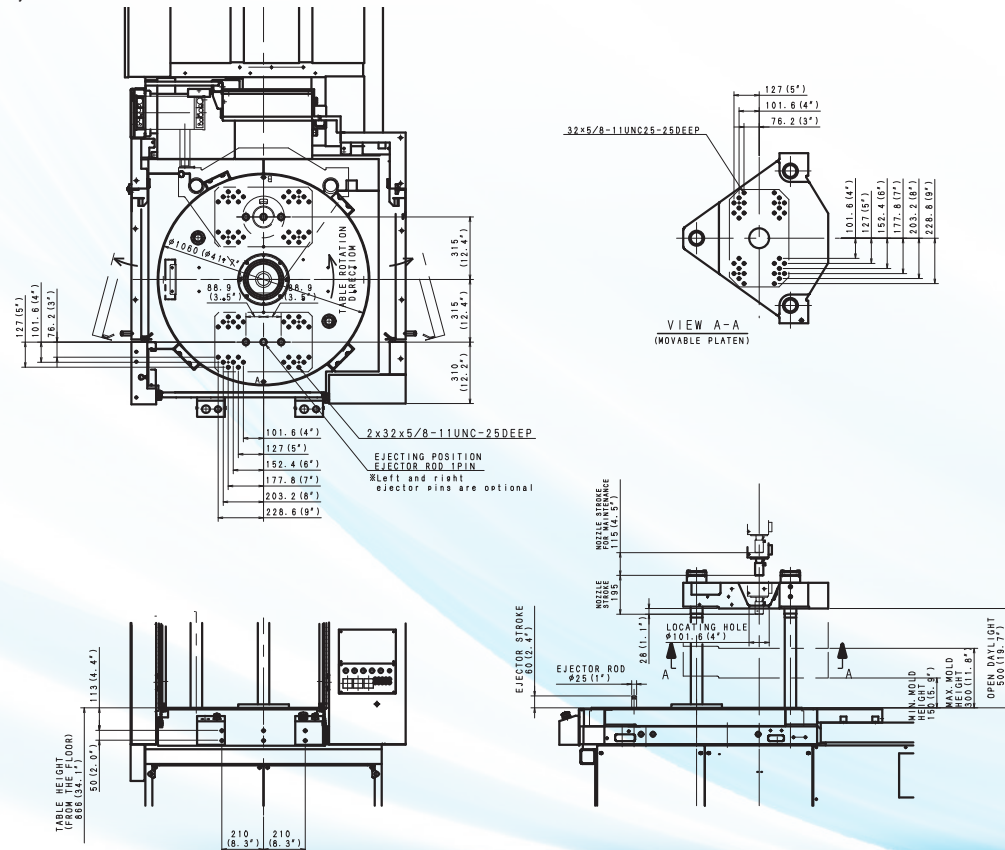


# MDVR-S8000 Series

External Dimension Diagram  
(MDVR55S8000)

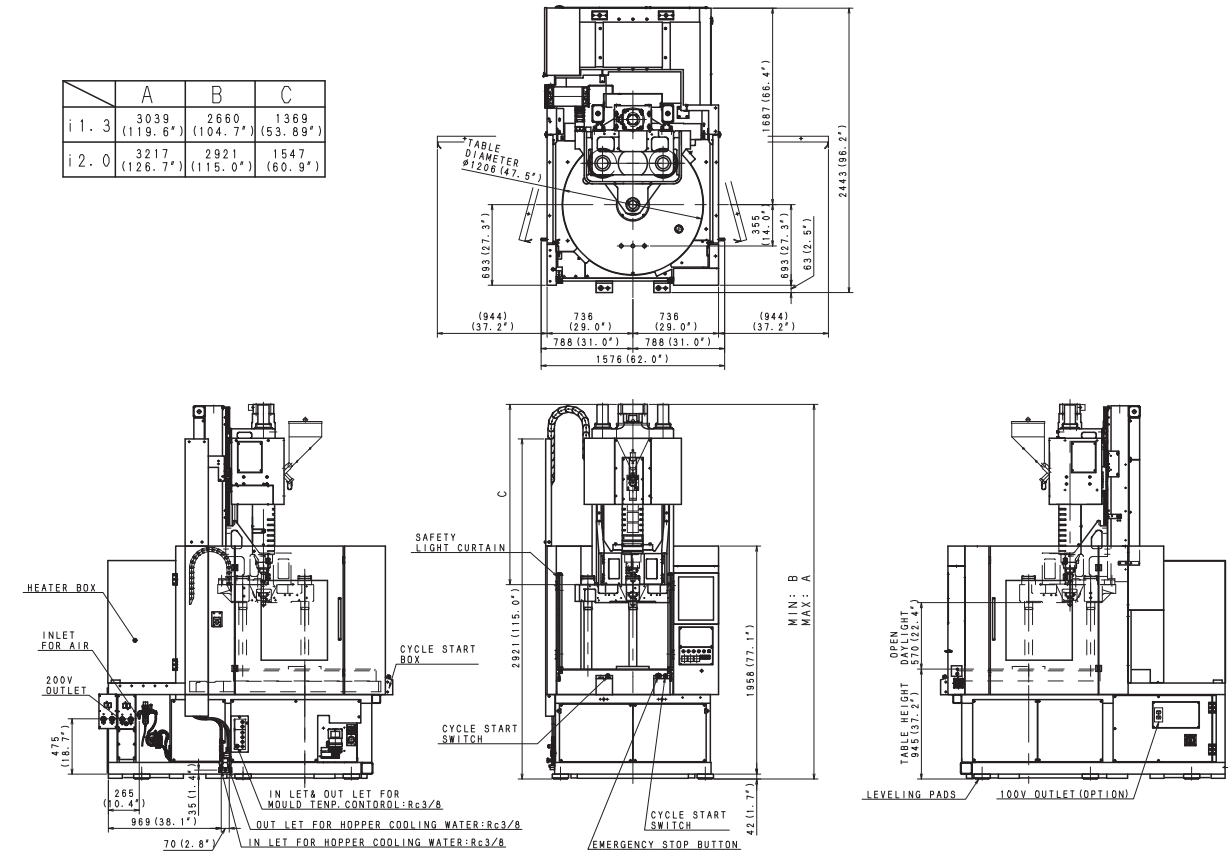


Mold Mounting Dimension Diagram  
(MDVR55S8000)

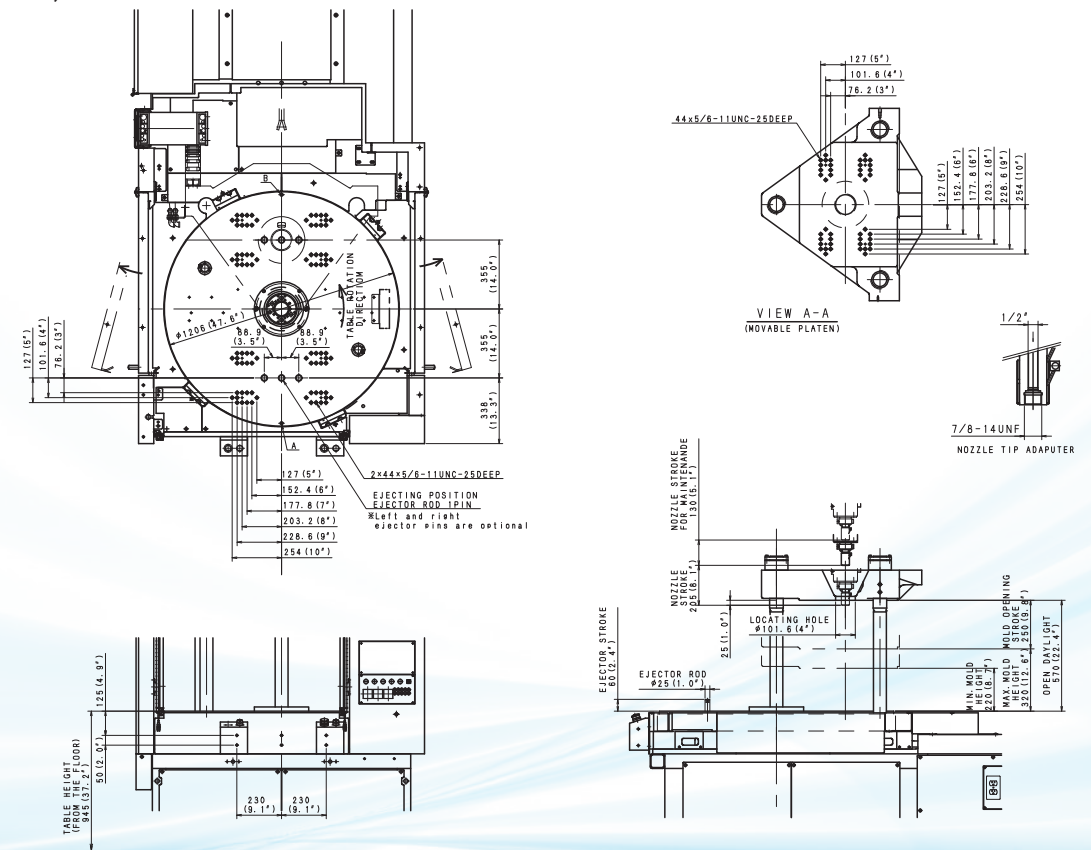


External Dimension Diagram  
(MDVR85S8000)

	A	B	C
1.3	3039 (119.6")	2660 (104.7")	1369 (53.89")
1.2.0	3217 (126.7")	2921 (115.0")	1547 (60.9")

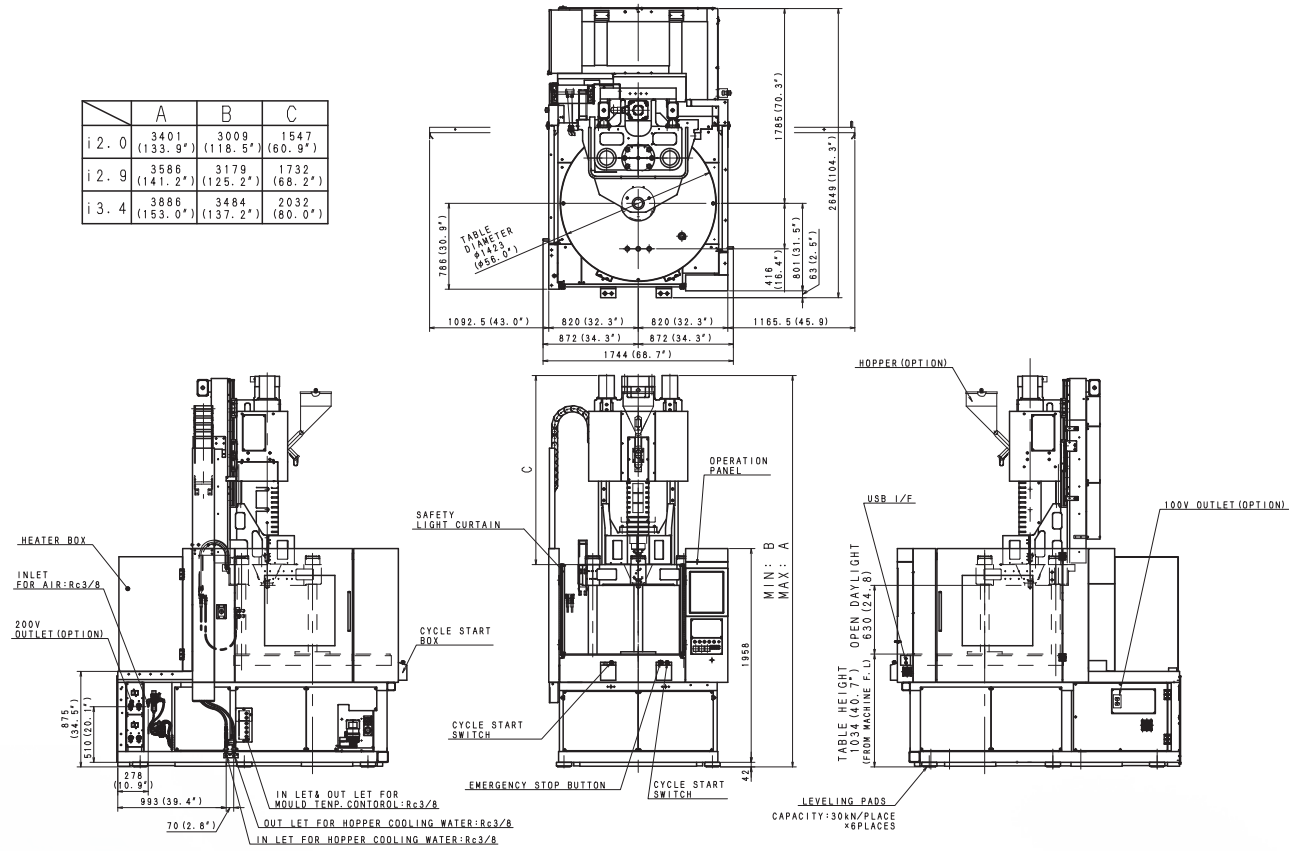


Mold Mounting Dimension Diagram  
(MDVR85S8000)

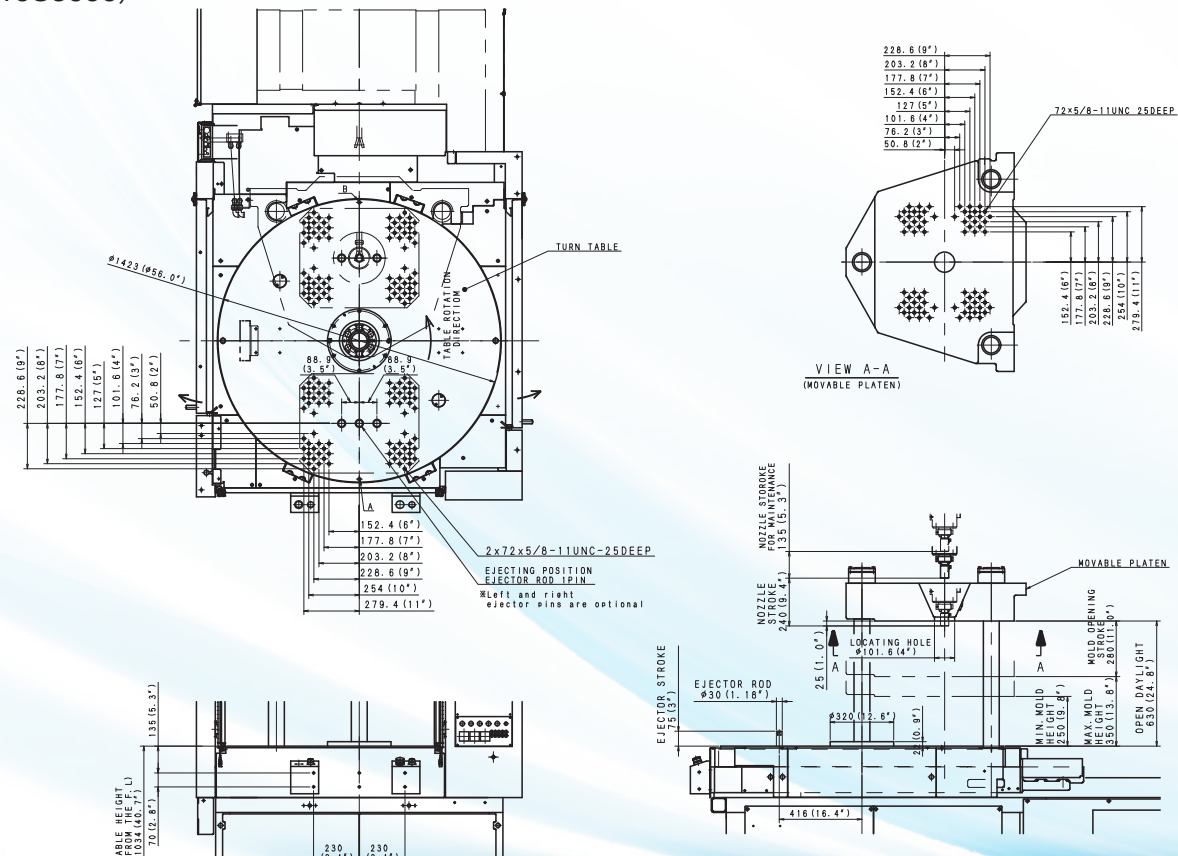


# MDVR-S8000 Series

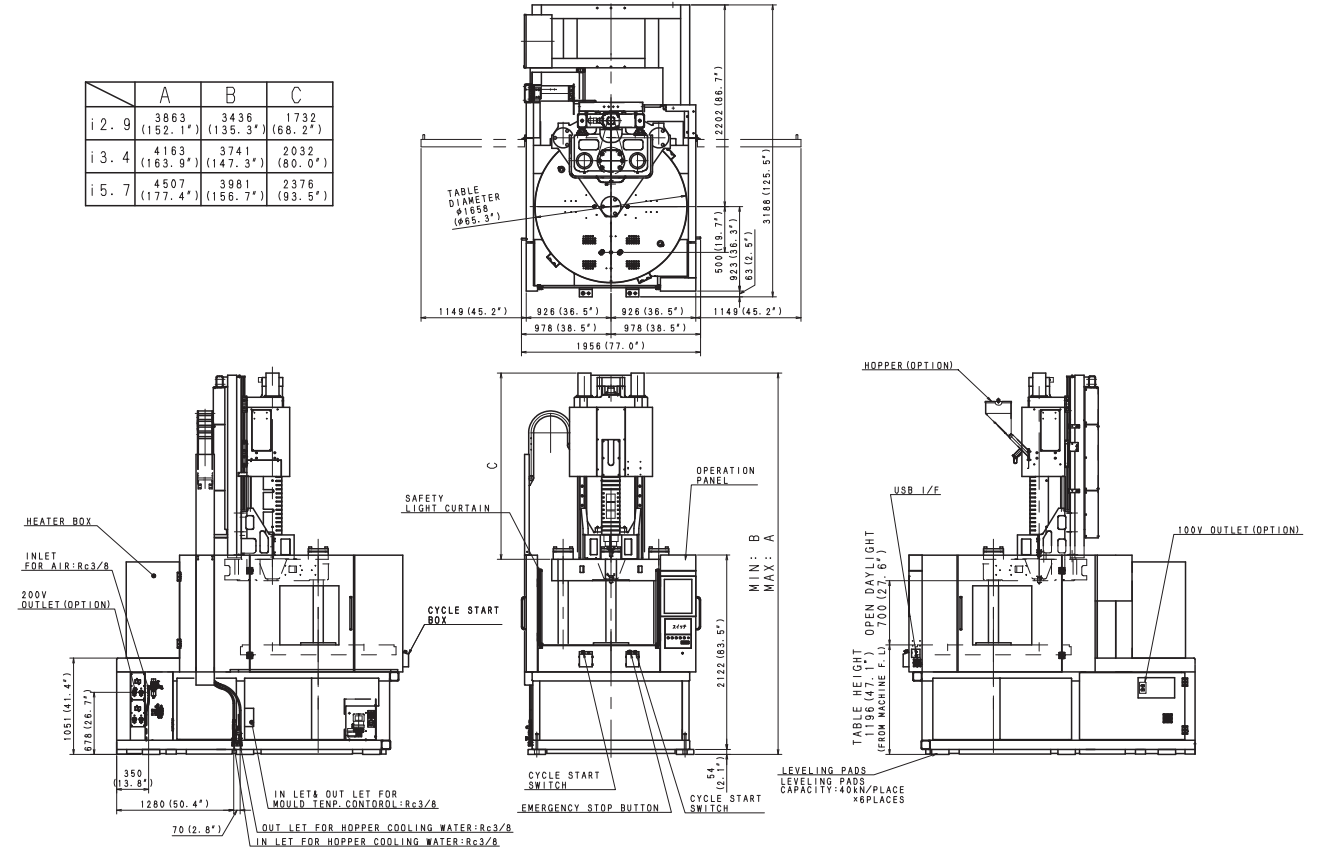
External Dimension Diagram  
(MDVR110S8000)



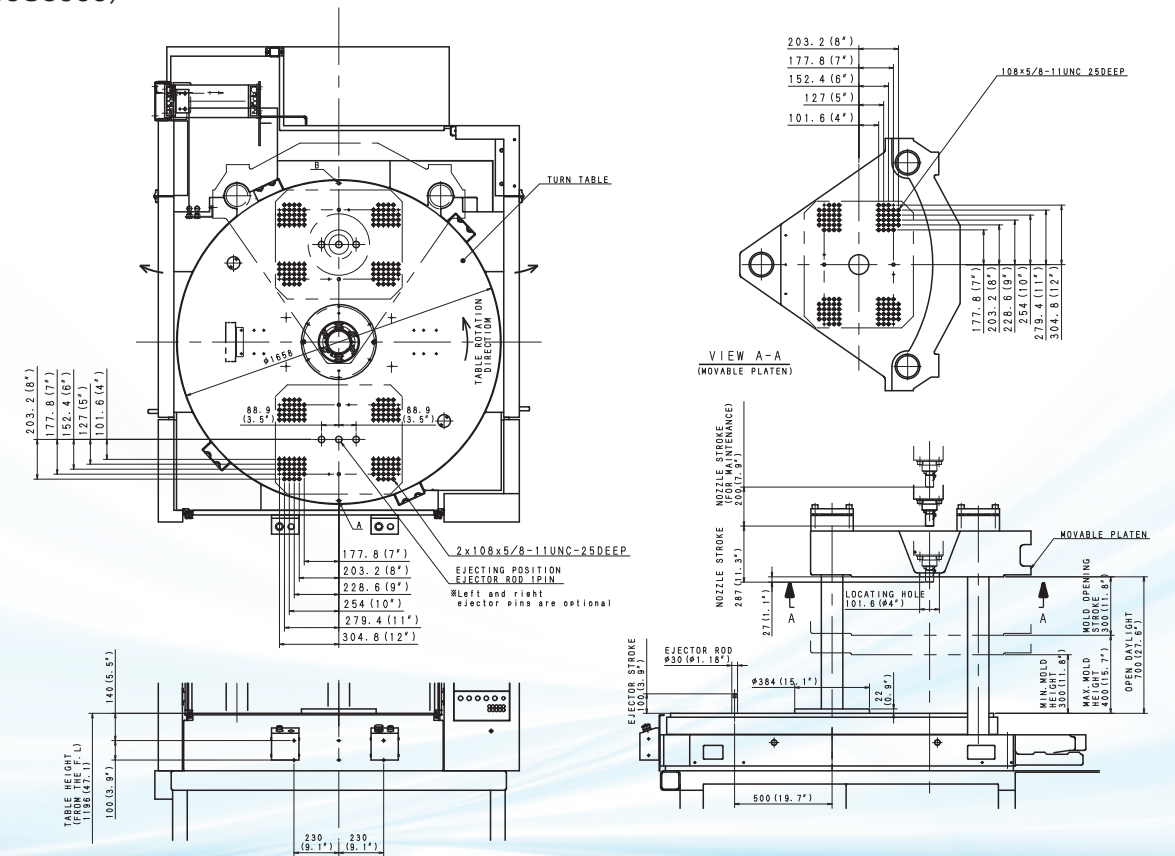
Mold Mounting Dimension Diagram  
(MDVR110S8000)



External Dimension Diagram  
(MDVR165S8000)



Mold Mounting Dimension Diagram  
(MDVR165S8000)



General	1. Operation mode (Adjust mode, manual, semi-automatic, full-automatic, purge)
	2. Auto lubrications
	3. Emergency stop button with lock
	4. Sourcing type control circuit (PNP)
	5. Light curtain

Injection	1. Anti wearing screw and barrel
	2. Multi stage injection control
	1) Max.5 speeds injection speed control.Filling pressures for each speed stage
	2) Max 5 pressures injection pressure control.Holding speeds for each pressure stage
	3. Setting of individual molding conditions for 2 sides
	4. Balance Pressure Filling control
	5. Constant Pressure Filling control
	6. Sealed ball screw
	7. Multi stage screw recovery control :3 speeds, 3 back pressures
	8. Automatic purge (4 modes)
	9. Temperature group control (Nozzle / Barrel zone 4)
	10. Cylinder follow-up temperature control for nozzle zone
	11. PID fuzzy controlled temperature regulation of heating cylinder/barrel
	12. Cold screw starting prevention
	13. Double-layer structure cylinder heater cover
	14. Back pressure delete in manual mode
	15. Hopper base temperature control (PID)
	16. Purge guard (with interlock)
	17. Nozzle retract (retract time setting)
	18. Delay timers for injection, Screw recovery, Nozzle back
19. Digital load cell device (High-precision detection of injection pressure and back pressure)	
20. 2 nozzle-strokes	

Clamping	1. High accuracy & high speed table rotation (0/180°)
	2. Mold open / close speed (up to 6 speeds for each)
	3. Simplified setup device (Mold setting mode, Clamping force adjusting mode, Low pressure mold protection adjusting mode)
	4. Automatic clamping force setting
	5. Mold height adjust device with encoder
	6. clamping force monitor
	7. Low pressure mold protection device (2 conditions )
	8. All processes mold protection device
	9. Ejector advance position holding function
	10. Ejector advance speed switching (high & low /two-steps)
	11. Ejector motor with break
	12. Mold closing safety device (air-cylinder )
	13. Delay timers for ejector
	14. Pre-releasing of clamping force
	15. Low pressure clamping force holding

Control	1. 15 inches color LCD touch panel
	2. NHN (Niigata Hiper Navi) Operation support, simplified setup device, easy setting function
	3. Simultaneous operation
	1) Ejection advance during mold close
	2) Nozzle advance during mold close
	3) Injection start during mold close
	4) Mold open during charging
	4. Servo motor with high-resolution encoder
	5. Expert function (Setting conversion from other machines)
	6. Calendar timer for heater start-up
	7. Multiple language (Japanese, English, Chinese, Spanish or Korean)
	8. Mold condition recode (384 built in memories, 384 external memories)
	9. Mold trial conditions stored (10 conditions)
	10. Motion/ No-motion selector switch
	11. Operation selector switch during alarm activation
	12. Select switch for machine shut down alarm
	13. Alarm buzzer
	14. Take-out robot interface
15. External memory (USB I/F)	
16. Event history (1000 data each)	
17. Instruction manual screen	
18. Convenient screen	

Control	19. Convenient screen
	20. Local password
	21. Output of external signal (multiple-choice)

Alarms	1. Graphical monitor (Injection, mold open/close, clamping force, ejector, screw rotation, table rotation)
	Overwriting, 8 waveforms on 1 screen, vertical axis value indicator function.
	2. Alarm device
	1) Automatic lubrication abnormal alarm
	2) Servo motor abnormal alarm
	3) Motor thermal abnormal alarm
	4) V-P transfer alarm (timer, position, pressure, upper/lower limit)
	5) Charging time alarm (upper/lower limit)
	6) Cycle time alarm (upper limit)
	7) Barrel temperature alarm (upper/lower limit)
	8) Hopper base temperature alarm (upper/lower limit)
	9) Heater break alarm
	10) SSR abnormal alarm
	11) Thermo couple break alarm
	12) Temperature regulator preparation alarm
	13) Resin lack alarm
	14) Clamp confirmation alarm
	15) Cushion position (min/ finish) abnormality alarm (upper/lower limit)
	16) Peak pressure abnormality alarm (during charge/Injection,upper/lower limit)
	17) Screw operation inhibit alarm
	18) Low-pressure mold protection alarm
	19) Injection unit alarm
	20) Injection start position abnormality alarm (upper/lower limit)
	21) Operation door alarm
22) Grease lubrication alarm	
23) Screw position alarm (arrival time, injection pressure)	
24) Resin retention monitoring alarm	

Counters	3. Counter device
	1) Total shot counter (preset type)
	2) Production Shot counter (preset type) (injection/non-defective shot counting, completed operation counting)
	3) Preparation shot counter (preset type)
Monitors	4) Shot counter for external conveyer (preset type), operation continued.
	5) Reject shot counter (preset type), operation stopped.
	6) Continuous rejection counter (preset type), operation stopped.
	4. Shot monitor (10000 shots)
	1) Cycle time
	2) Injection starting position
	3) Cushion volume (min./finish)
	4) Filling peak pressure
	5) Injection peak pressure
	6) V-P transfer time
7) V-P transfer position	
8) V-P transfer pressure	
9) Arrival time at the setting point	
10) Injection pressure at the setting point	
11) Charge time	
12) Nozzle (N2, N2) temperature	
13) Cylinder 1, 2, 4 temperature	
14) Hopper base temperature	
15) Power consumption in one cycle	

Others	1. Under hopper cooling device with flow indicator
	2. Levelling pads (6 pcs)
	3. Mold mounting unit (12 sets)
	4. Spare grease cartridge (for auto lubrication 700cc : 1 pc)
	5. Special tool

## Vertical Machine Variations

### MDV55S8000

- ▶ All electric vertical injection machine
- ▶ Vertical clamp & vertical injection
- ▶ Single station
- ▶ 55 US ton clamping force
- ▶ Sensitive mold safety system
- ▶ Compact machine design for small footprint
- ▶ Precise clamp force control
- ▶ Ideal for hoop molding



Item	Unit	Low Capacity (OP.)	Standard			
			A	Y (OP.)	B	
Injection Capacity	※ 1	T.m	i 1.3			
		—	A	Y (OP.)	B	
Screw Complete	Diameter	mm	18	22	25	30
		in	0.71	0.87	0.98	1.18
Screw Stroke		mm	85			
		in	3.35			
Calculated Injection Volume	※ 2	cm <sup>3</sup>	22	32	42	60
		cu-in	1.34	1.95	2.59	3.66
Calculated Injection Capacity	※ 3	g	20	30	38	55
		oz	0.71	1.06	1.34	1.94
Max. Injection Pressure	※ 4	Mpa	280	250	215	150
		psi	40610	36260	31180	21760
Max. Hold Pressure	※ 4	Mpa	270	230	195	135
		psi	39160	33360	28280	19580
Max. Injection Speed	※ 5	mm/s	300			
		in/s	11.8			
Injection Rate		cm <sup>3</sup> /s	76	114	147	212
		cu-in/s	6.64	6.96	9.97	12.94
Screw Rotation Speed		min <sup>-1</sup>	300			
Plasticizing Capacity (PS)	※ 6	kg/h	8	15	23	36
		oz/s	0.08	0.15	0.23	0.35
Heater Capacity		kW	2.99	3.5	4.19	
Nozzle Stroke		mm (in)	210 (8.27)			
Nozzle Touch Force		kN (Us ton)	18 (2.02)			
Temperature Zones	Nozzle and Barrel	—	1G + 2+ 1G			
	Hopper Base	—	1			
Clamping System		—	Double toggle			
Clamping Force		kN (Us ton)	500 (55)			
Tie-Bars Distance (H x V)		mm (in)	360 x 360 (14.17 x 14.17)			
Mold Opening Stroke		mm (in)	250 (9.84)			
Mold Height (Min/Max)		mm (in)	200/300 (7.87/11.81)			
Open Daylight		mm (in)	550 (21.65)			
Ejector Stroke		mm (in)	60 (2.36)			
Ejector Force		kN (Us ton)	20 (0.79)			
Total Machine Power		kVA	14			
Power Source (Voltage x Frequency)		—	AC200V x 50Hz/AC200V x 60Hz/AC220V x 60Hz			
Machine Mass		ton (Us ton)	3.1 (3.41)			
Cooling Water Consumption (Max.)		L/min (gal/min)	5 (1.32)			

Note : Specifications are subject to change without notice. Items with (OP.) are options.  
 ※ 1 Injection capacity is calculated by (Max injection pressure) x (Calculated injection volume).  
 ※ 2 Calculated injection volume is calculated by (Screw cross section) x (Screw stroke).  
 ※ 3 Calculated injection capacity is 92% of polystyrene calculated injection volume.  
 ※ 4 Max. injection pressure and max. hold pressure may be limited by cycle time.  
 ※ 5 Max. injection speed may not reach this value depending on load.  
 ※ 6 Plasticizing capacity is for polystyrene.

## Optional accessories & functions

1. IoT centralized control system	12. Special locate ring	23. Valve gate signal
2. Special design screw	13. Signal output interface for hot runner	24. Resin hopper mounting base
3. Resin hopper	14. Mold temperature regulator	25. Table stop position at 90°
4. Optional Nozzle (Long open nozzle, Spring needle nozzle)	15. Mold temperature control water piping	26. Table rotation — 90°
5. Heat insulating board (thickness : 5mm,10mm)	16. Upper mold ejector with hydraulic unit	27. Rotational control box
6. Air jet / air ejector	17. Interface for insert device	28. Main power with leakage breaker
7. Warning light	18. High temperature heating cylinder	29. Mold positioning hole drilling (moving platen, turn table)
8. Mold ejector plate return confirmation device	19. Core pull confirmation device (hydraulic/ pneumatic)	30. Mold height extension (50mm, 100mm)
9. Outlet 200V (20A, 30A)	20. PC interface	31. FREEBEAR on table (ball table)
10. Outlet 100V	21. Flow molding	32. Control box position change (right side)
11. Special color	22. Mold open/close pause signal	33. Safety regulation compliant (U.S.A, China, Korea and other)