

# Specification



## ZE3000V-1400

ZERES 5 Series: Electric with Integrated Hydraulics



Clamping Unit		ZE3000 V
Clamping Force	kN	3000
	US Tons	337
Mold Opening Stroke	mm	600
	in.	23.62
Minimum Mold Height	mm	280
	in.	11.02
Maximum Mold Height	mm	650
	in.	25.59
Maximum Daylight	mm	1250
	in.	49.21
Distance Between Tie-Bars (HXV)	mm	730x730
	in.	28.74x28.74
Platen Dimensions (HXV)	mm	1000x1000
	in.	39.37x39.37
Minimum Mold Size	mm	470x470
	in.	18.5x18.5
Ejector Stroke	mm	160
	in.	6.3
Ejector Force	kN	68.6
	US Tons	8

# Specification



## ZE3000V-1400

ZERES 5 Series: Electric with Integrated Hydraulics

Injection Unit		1400		
Screw & Barrel Designation		A	B	C
Screw Diameter	mm	55	60	65
	in.	2.17	2.36	2.56
Screw L/D Ratio	L/D	21.8	20	18.5
Injection Volume (Theoretical)	cm <sup>3</sup>	617	735	862
	cu.in.	37.65	44.85	52.60
Injection Weight (PS)	g	562	668	785
	oz.	19.82	23.56	27.69
Injection Pressure	MPa	214	180	153
	psi	31038	26107	22191
Holding Pressure	MPa	190	160	136
	psi	27557	23206	19725
Screw Speed	rpm	300	300	300
Plasticizing Rate (GPPS)	g/s	54	64	71
	oz./s	1.90	2.26	2.50
Nozzle Contact Force	kN	85	85	85
	US Tons	10	10	10
Injection Unit		1400		
Injection Speed	mm/s	160		
	in./s	6.3		
Injection Rate (PS)	g/s	332	395	463
	oz./s	11.71	13.93	16.33
Injection Unit		1400h		
Injection Speed	mm/s	250		
	in./s	9.84		
Injection Rate (PS)	g/s	518	617	724
	oz./s	18.27	21.76	25.54
Injection Unit		1400hs		
Injection Speed	mm/s	350		
	in./s	13.78		
Injection Rate (PS)	g/s	726	864	1014
	oz./s	25.61	30.48	35.77

# Specification



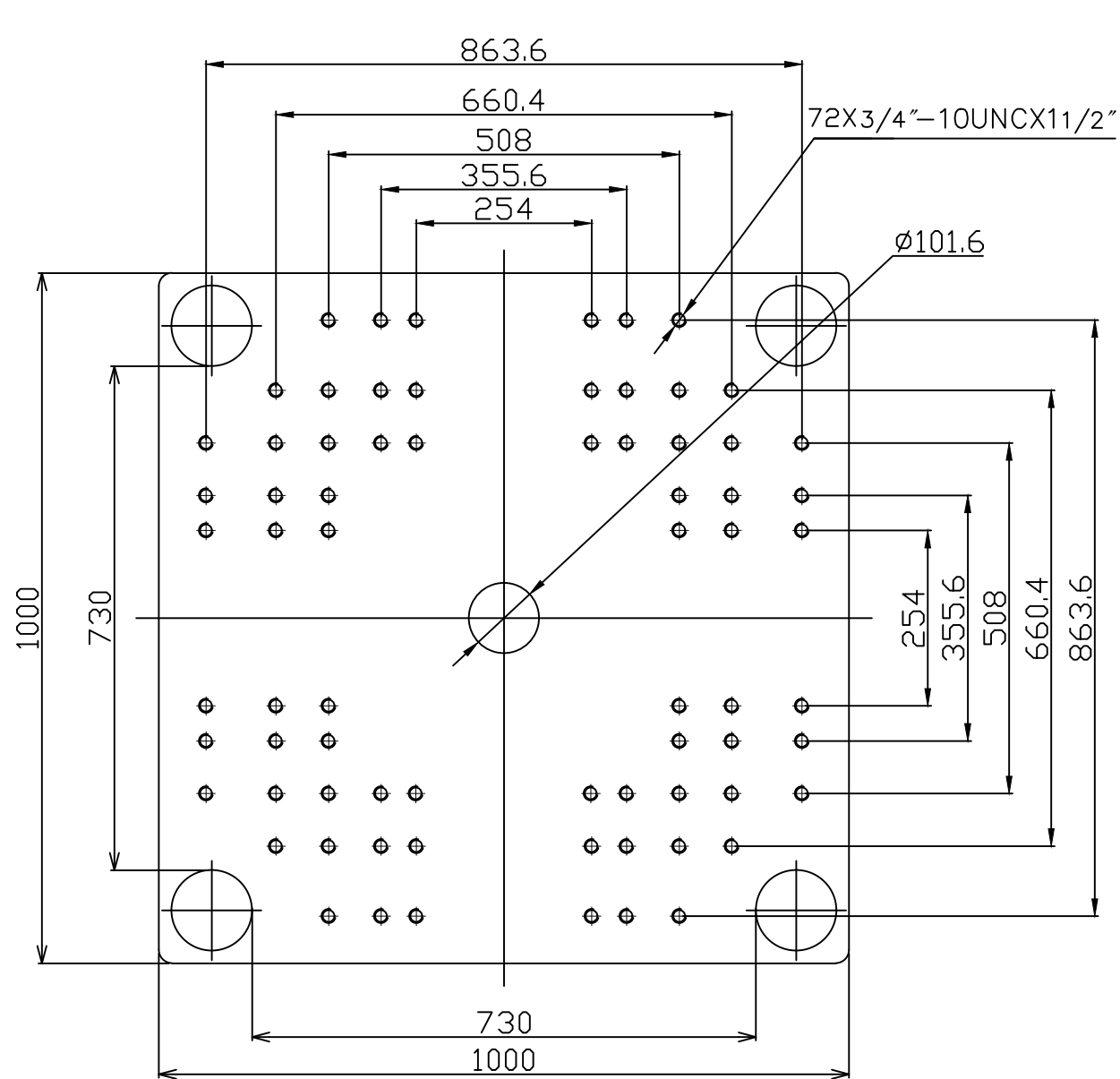
## ZE3000V-1400

ZERES 5 Series: Electric with Integrated Hydraulics

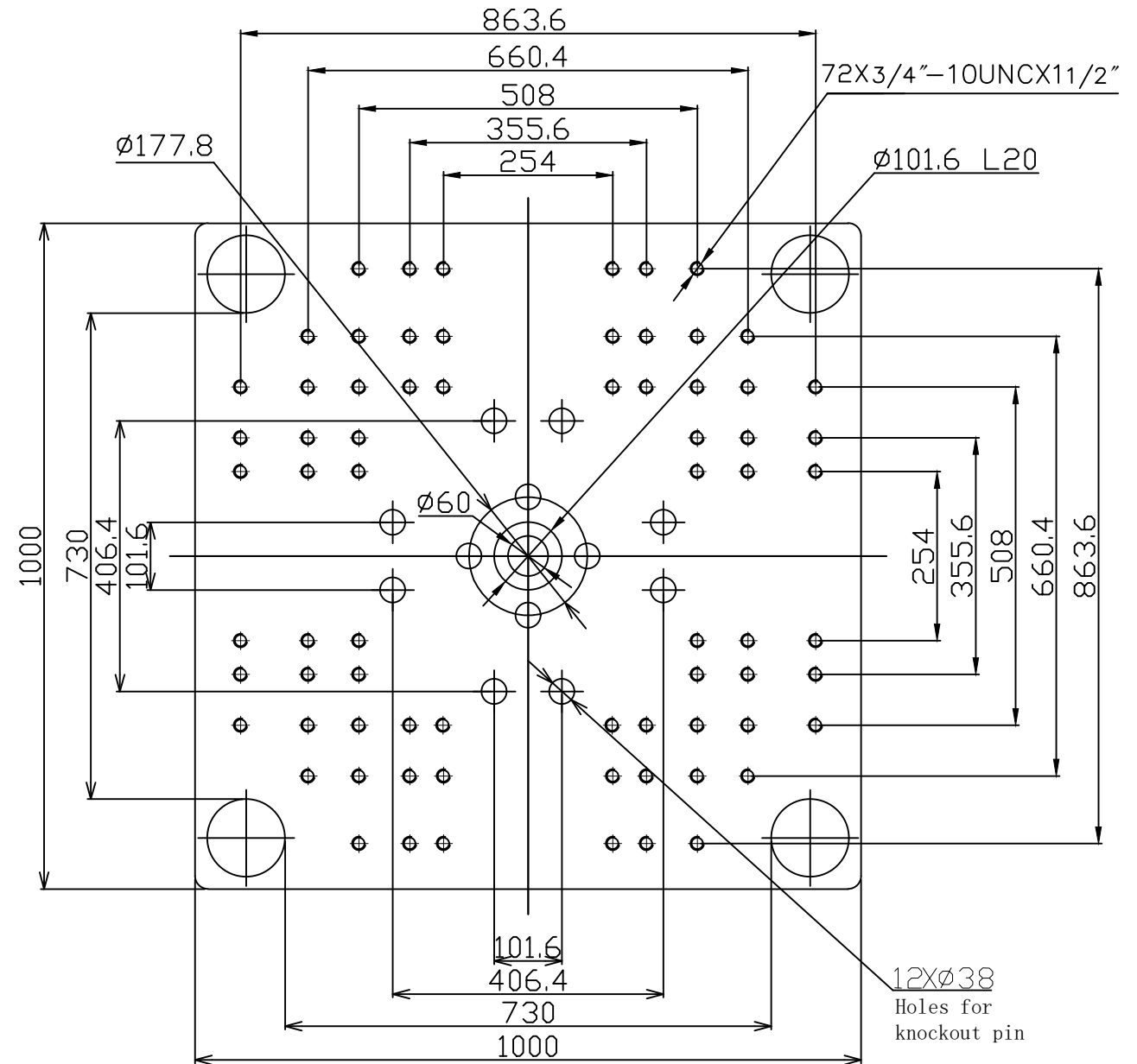
Other		
Connection Power	kW/A	1400:52/87 1400h:65/109 1400hs:69/115
Heating Power	kW	29.3
Machine Dimension	m in.	7.03x1.90x2.42 277x75x95
Machine Weight	t lbs.	13.6 29983
Hopper Capacity	l gal	50 13
Oil Pressure	MPa psi	17.5 2538
Oil Flow	l/min gal/min	90 24
Oil Tank	l gal	123 32

**\*NOTE:**

1. Machine dimensions and weights are based on the international standard configuration and are for reference only. Any options or country specific requirements will affect this. Contact Absolute Haitian service department for machine specific information.
2. Power requirements are based on the international standard configuration and are for reference only. Any options or country specific requirements will affect this. Contact Absolute Haitian service department for machine specific information.



Fixed Platen



Moving Platen



Absolute Haitian Corporation  
 33 Southgate St. Worcester, MA  
 T: +1 508-792-4305  
 www.absolutehaitian.com

Title: ZE/VEV 3000 Fixed & Moving Platens Drawing

Machine Model: ZE/VEV 3000  
 Machine Serial Number:  
 Machine Tonnage:

Sheet: 1 of 1

Drawn By: Harry Date: 1/9/2024  
 Chkd By: LEON XIE Date: 1/9/2024

Revision	Date:	Drawing #:	NOT TO SCALE	Size: 11 X 17 "B"
Rev #: 1				Units: mm / [in]
Rev #: 2				Material:
Rev #: 3				Part:
Rev #: 4				Part:
Rev #: 5				Part:

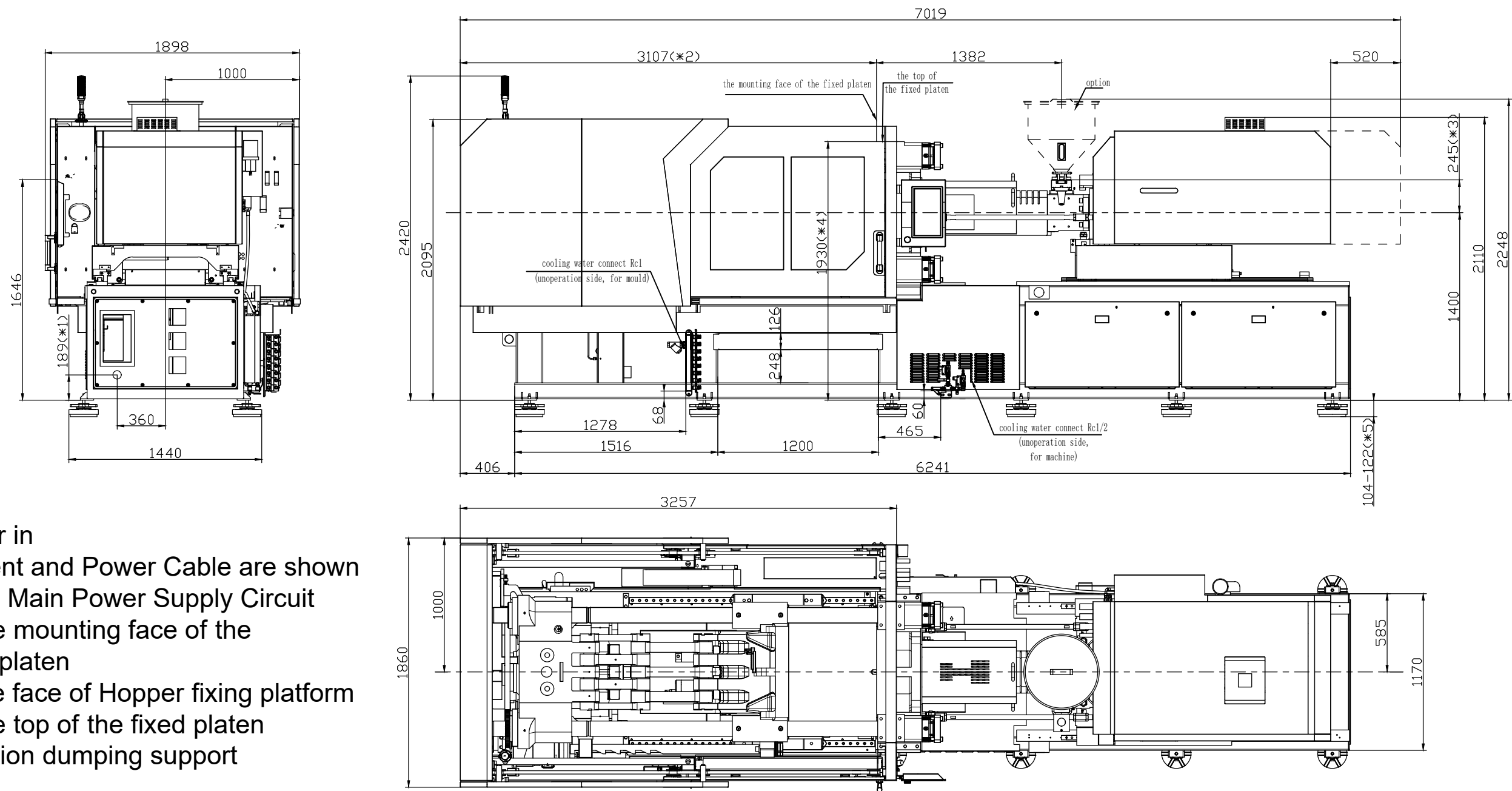
PLEASE READ:

The designs on this drawing were validated using machine manufacturer's drawings and/or information supplied by Absolute or the customer. It is the responsibility of the customer to review and confirm that all dimensions are consistent with the application intended and in accordance with the facility requirements for space, part clearance, overhead clearance, or any other interference. By signing this document, the customer accepts full responsibility for this design and application.

Customer:

Customer Approval:  
 Authorized Signature

Notes:



- \*1 Power in  
Current and Power Cable are shown  
in the Main Power Supply Circuit
- \*2 To the mounting face of the  
fixed platen
- \*3 To the face of Hopper fixing platform
- \*4 To the top of the fixed platen
- \*5 Vibration dumping support



Absolute Haitian Corporation  
33 Southgate St. Worcester, MA  
T:+1 508-792-4305  
www.absolutehaitian.com

Title: ZE V 3000-1401 Layout Drawing

Machine Model: ZE V 3000-1401  
Machine Serial Number:  
Machine Tonnage:

Sheet: 1 of 1

Drawn By: Harry Date: 3/22/2024  
Chkd By: LEON XIE Date: 3/22/2024

Revision Date: Drawing #: Layout

Revision	Date:	Drawing #:	Layout
Rev #: 1			
Rev #: 2			
Rev #: 3			
Rev #: 4			
Rev #: 5			

NOT TO SCALE Size: 11 X 17 "B"  
Units: mm / [in]  
Material:  
Part:  
Part:  
Part:  
Part:

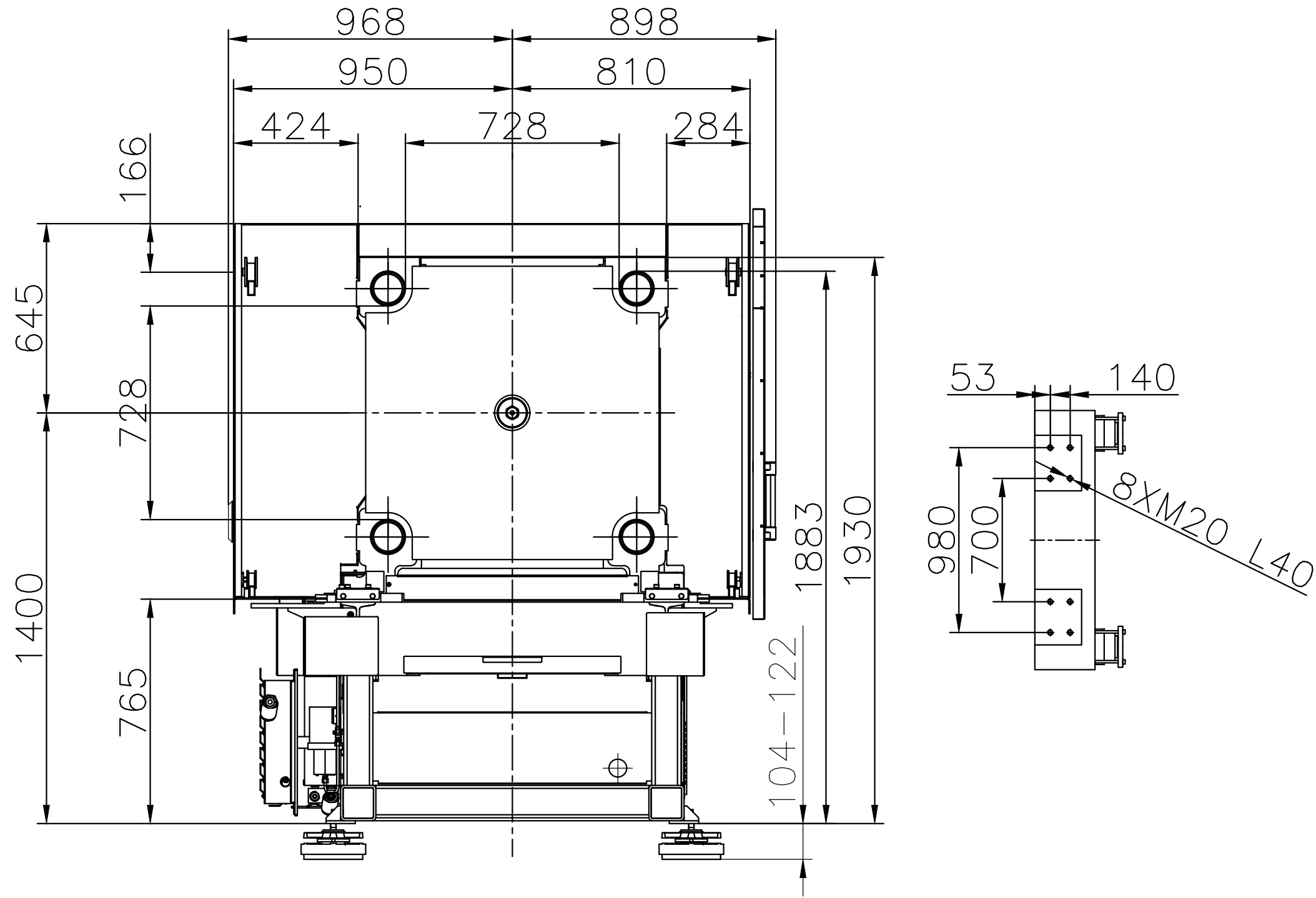
PLEASE READ:

The designs on this drawing were validated using machine manufacturer's drawings and/or information supplied by Absolute or the customer. It is the responsibility of the customer to review and confirm that all dimensions are consistent with the application intended and in accordance with the facility requirements for space, part clearance, overhead clearance, or any other interference. By signing this document, the customer accepts full responsibility for this design and application.

Customer:

Customer Approval:  
Authorized Signature

Notes:



Absolute Haitian Corporation  
 33 Southgate St. Worcester, MA  
 T:+1 508-792-4305  
 www.absolutehaitian.com

Title: ZE V 3000 Robot Mounting Drawing

Machine Model: ZE V 3000  
 Machine Serial Number:  
 Machine Tonnage:

Sheet: 1 of 1

Drawn By: Harry Date: 4/9/2024  
 Chkd By: LEON XIE Date: 4/9/2024

Revision Date: Drawing #: Robot Mounting

Rev #: 1  
 Rev #: 2  
 Rev #: 3  
 Rev #: 4  
 Rev #: 5

NOT TO SCALE Size: 11 X 17 "B"

Units: mm / [in]  
 Material:  
 Part:  
 Part:  
 Part:  
 Part:

PLEASE READ:

The designs on this drawing were validated using machine manufacturer's drawings and/or information supplied by Absolute or the customer. It is the responsibility of the customer to review and confirm that all dimensions are consistent with the application intended and in accordance with the facility requirements for space, part clearance, overhead clearance, or any other interference. By signing this document, the customer accepts full responsibility for this design and application.

Customer:

Customer Approval:  
 Authorized Signature

Notes: