

Specification



JU12000V-11500

JUPITER 5 Series: Two-Platen Servo-Hydraulic



Clamping Unit		JU12000V
Clamping Force	kN	12000
	US Tons	1349
Mold Opening Stroke (Min/Max)	mm	2050/1400
	in.	80.71/55.12
Minimum Mold Height	mm	600
	in.	23.62
Maximum Mold Height	mm	1250
	in.	49.21
Maximum Daylight	mm	2650
	in.	104.33
Distance Between Tie-Bars (HXV)	mm	1310×1200
	in.	51.57×47.24
Platen Dimensions (HXV)	mm	1860×1760
	in.	73.23×69.29
Ejector Stroke	mm	350
	in.	13.78
Ejector Force	kN	230
	US Tons	26
Maximum Mold Weight*	t	20
	lbs.	44092

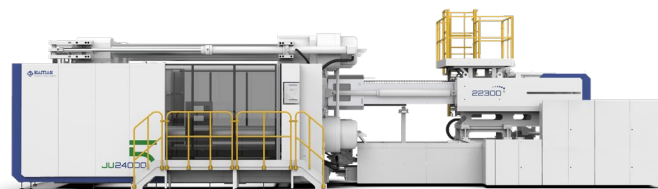
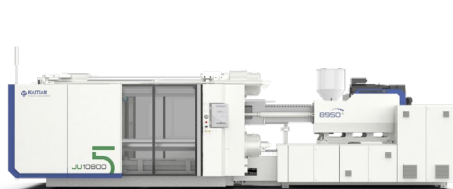
Specification



JU12000V-11500

JUPITER 5 Series: Two-Platen Servo-Hydraulic

Injection Unit		11500			
Screw & Barrel Designation		A	B	C	D
Screw Diameter	mm	110	120	130	140
	in.	4.33	4.72	5.12	5.51
Screw L/D Ratio	L/D	26.2	24	22.2	20.6
Injection Volume (theoretical)	cm ³	5226	6220	7300	8466
	cu.in.	318.91	379.57	445.47	516.63
Injection Weight (PS)	g	4756	5660	6643	7704
	oz.	167.76	199.65	234.32	271.75
Injection Rate (PS)	g/s	884	1052	1235	1432
	oz./s	31.18	37.11	43.56	50.51
Injection Pressure	MPa	189	159	135	117
	psi	27412	23061	19580	16969
Injection Pressure (max)*	MPa	217	183	156	134
	psi	31473	26542	22626	19435
Plasticizing Rate (GPPS)	g/s	123	142	164	187
	oz./s	4.34	5.01	5.78	6.60
Plasticizing Rate (HDPE)	g/s	187	217	240	273
	oz./s	6.60	7.65	8.47	9.63
Screw Speed	rpm	105	105	105	105



Specification



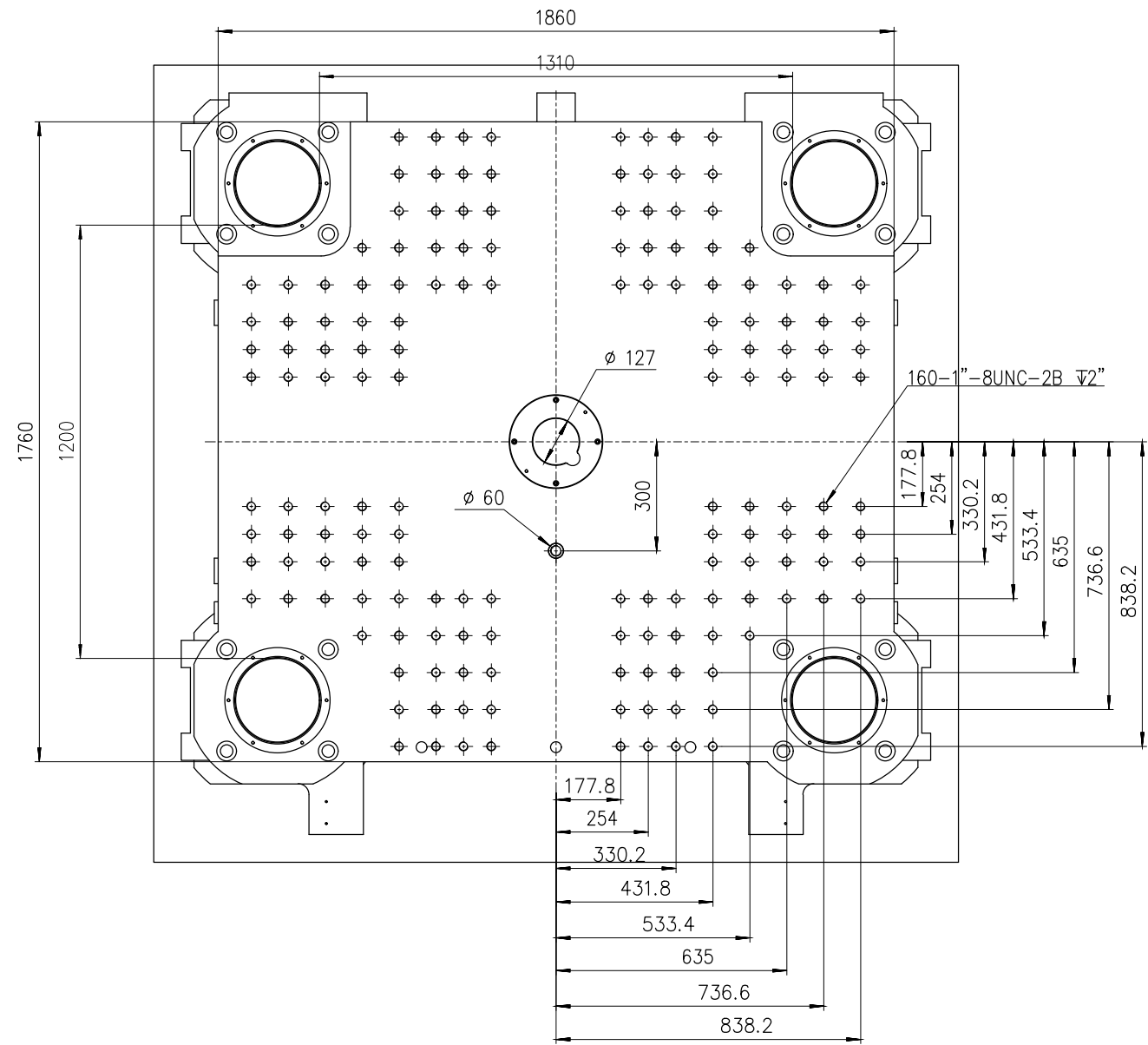
JU12000V-11500

JUPITER 5 Series: Two-Platen Servo-Hydraulic

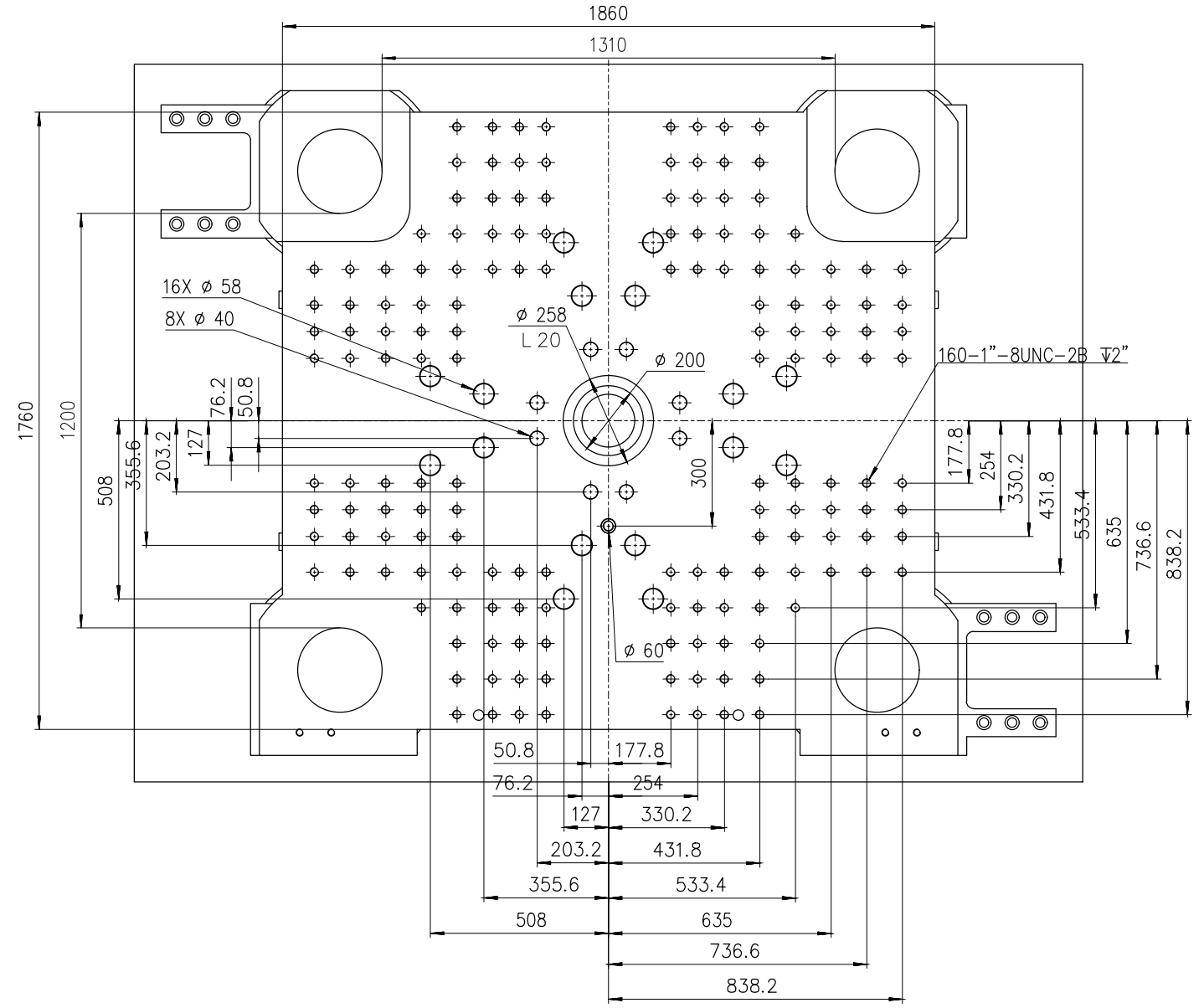
Other		
Pump Motor Power	kW	135
Heater Power	kW	104
Machine Dimension (LxWxH)	m	10.46×3.34×4.42
	in.	412x131x174
Machine Weight	t	54
	lbs.	119050
Hopper Capacity	kg	400
	lbs.	882
Oil Tank	l	840
	gal	222

*NOTE:

1. Injection Pressure (max) uses the machine's regeneration oil circuit to increase the injection pressure. This function will reduce injection control and repeatability. The standard "Injection Pressure" specification is the maximum injection pressure in a normal operating mode.
2. Moving platen max mold weight is 2/3 of total max mold weight.
3. Electric screw drive (screw rotate) is standard for injection units under 11500. For injection units 11500 and above electric screw drive is optional.
4. Machine dimensions and weights are based on the international standard configuration and are for reference only. Any options or country specific requirements will affect this. Contact Absolute Haitian service department for machine specific information.
5. Power requirements are based on the international standard configuration and are for reference only. Any options or country specific requirements will affect this. Contact Absolute Haitian service department for machine specific information.



Fixed Platen



Moving Platen



Absolute Haitian Corporation
33 Southgate St. Worcester, MA
T: +1 508-792-4305
www.absolutehaitian.com

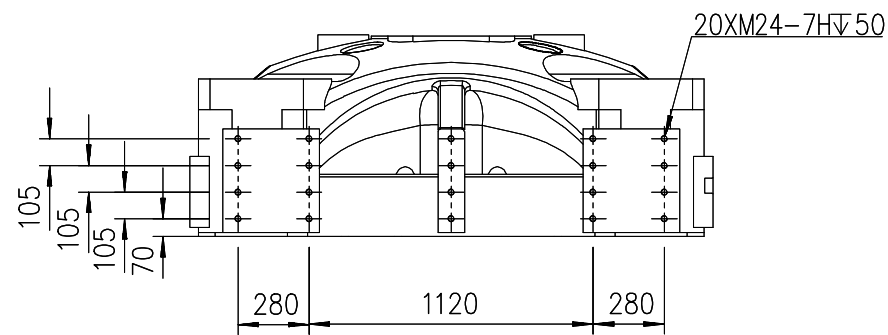
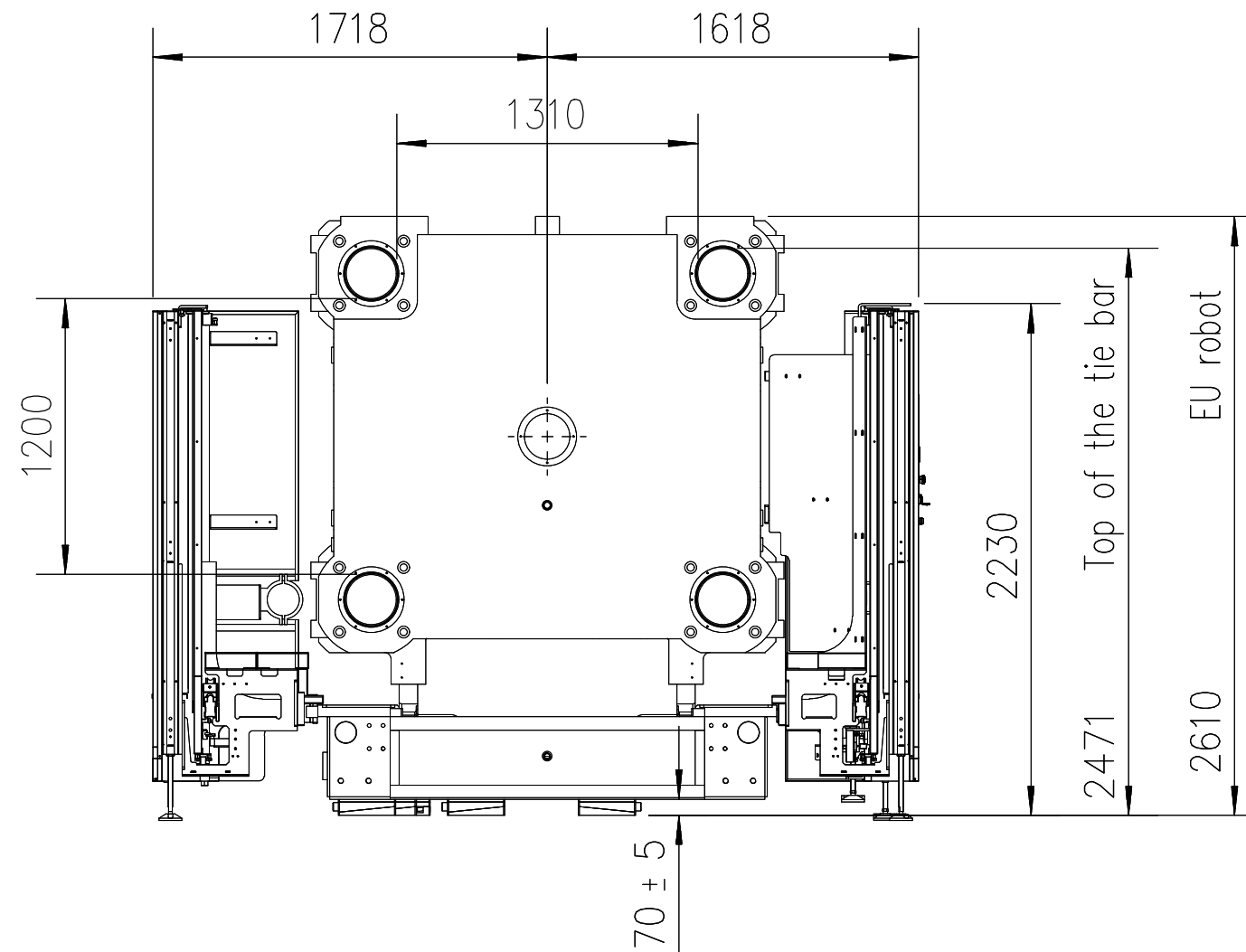
Title: JUV 10800 Fixed & Moving Platens Drawing			Sheet: 1 of 1	
Machine Model: JUV 10800			Drawn By: Harry	Date: 1/9/2024
Machine Serial Number:			Chkd By: LEON XIE	Date: 1/9/2024
Machine Tonnage:			NOT TO SCALE	Size: 11 X 17 "B"
Revision	Date:	Drawing #:	Units: mm / [in]	
Rev #: 1				
Rev #: 2				
Rev #: 3			Material:	
Rev #: 4			Part:	
Rev #: 5			Part:	

PLEASE READ:
The designs on this drawing were validated using machine manufacturer's drawings and/or information supplied by Absolute or the customer. It is the responsibility of the customer to review and confirm that all dimensions are consistent with the application intended and in accordance with the facility requirements for space, part clearance, overhead clearance, or any other interference. By signing this document, the customer accepts full responsibility for this design and application.

Customer: _____

Customer Approval:
Authorized Signature

Notes:



Absolute Haitian Corporation
 33 Southgate St. Worcester, MA
 T:+1 508-792-4305
 www.absolutehaitian.com

Title: JU V 12000-8950 Robot Mounting Drawing

Machine Model: JU V 12000-8950
 Machine Serial Number:
 Machine Tonnage:

Sheet: 1 of 1

Drawn By: Harry Date: 4/9/2024
 Chkd By: LEON XIE Date: 4/9/2024

Revision Date: Drawing #: Robot Mounting

Rev #: 1
 Rev #: 2
 Rev #: 3
 Rev #: 4
 Rev #: 5

NOT TO SCALE Size: 11 X 17 "B"

Units: mm / [in]
 Material:
 Part:
 Part:
 Part:
 Part:

PLEASE READ:

The designs on this drawing were validated using machine manufacturer's drawings and/or information supplied by Absolute or the customer. It is the responsibility of the customer to review and confirm that all dimensions are consistent with the application intended and in accordance with the facility requirements for space, part clearance, overhead clearance, or any other interference. By signing this document, the customer accepts full responsibility for this design and application.

Customer:

Customer Approval:
 Authorized Signature

Notes: